

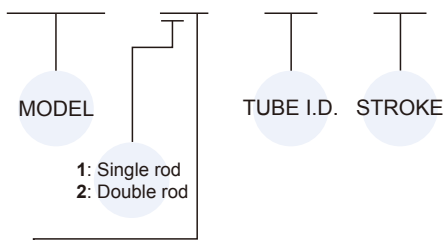
Table for standard stroke

Tube I.D.	Stroke (mm)
ø20,25	5,10,15,20,25,30,40,50,60,80,100,200
ø32,40	5,10,15,20,25,30,40,50,60,80,100,200,300
ø50,63	10,15,20,25,30,40,50,60,80,100,200,300,400
ø80,100	15,20,25,30,40,50,60,80,100,200,300,400,500

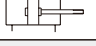



\* Please consult us if stroke out of specification.

### Order example

MCJI – 12 – 20 – 25



#### STYLE

Code	Symbol	Description
1 1		Double acting / Male thread
1 2		Double acting / Female thread
2 1		Double rod / Male thread
2 2		Double rod / Female thread

\* Order example for special specification, refer to page 0-7.

### Features

- ISO-21287 standard.
- Wide range of bore sizes and strokes.
- Ultra compact, light weight and space saving.
- Sensor slots on RCI sides for flush mounting of proximity sensors.
- Magnetic as standard.

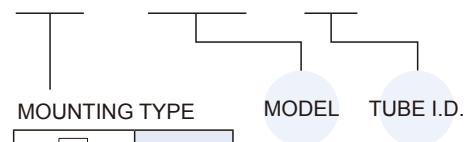
### Specification

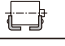

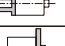



Model	MCJI	
Acting type	Double acting	
Tube I.D. (mm)	20,25	32,40,50,63,80,100
Port size	M5×0.8	G1/8
Medium	Air	
Operating pressure range	0.05~1 MPa	
Proof pressure	1.5 MPa	
Cushion	Rubber bumper	
Lubricator	Without lubrication	
Stroke length tolerance (*)	+0~+1.0 mm	
Ambient temperature	-5°C~+60°C (No freezing)	
Available speed range	50~500 mm/sec	
Sensor switch	RCI (Please refer to page 8-11)	

\* Stroke length tolerance does not include the amount of bumper change.

### Mounting accessories

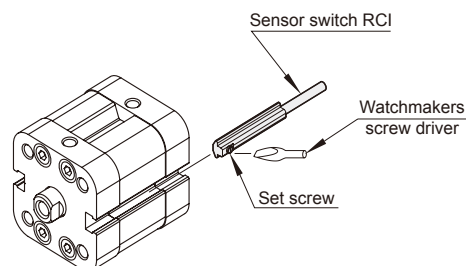
FAC – MCJI – 20



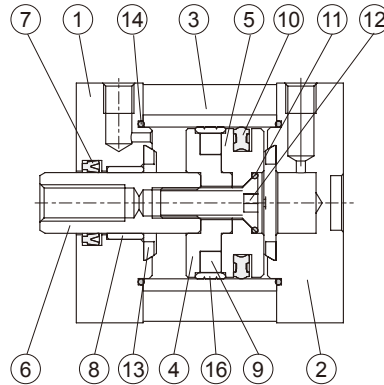
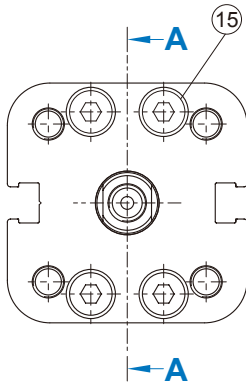
MOUNTING TYPE	MODEL	TUBE I.D.
	LB	
	CA	
	CB	
	FAC	
	FBC	
	MP	

\* ø20, ø25 without CB accessory.

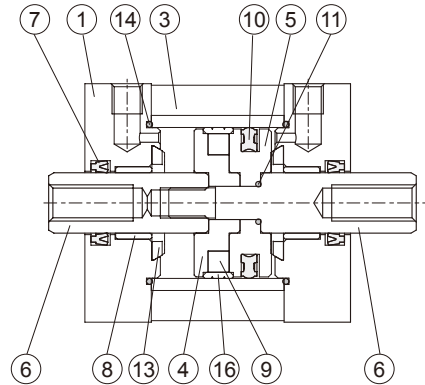
### Installation of sensor switch



### Single rod



### Double rod




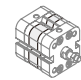
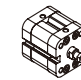
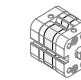
### Material

No.	Part name	Material	Q'y		Component parts (inclusion)	Repair kits (inclusion)
			Single	Double		
1	Rod cover	Aluminum alloy	1	2	●	
2	End cover	Aluminum alloy	1	—	●	
3	Tube	Aluminum alloy	1	1		
4	Piston-R	Aluminum alloy	1	1	●	
5	Piston-H	Aluminum alloy	1	1	●	
6	Piston rod	*	1	2		
7	Rod packing	NBR	1	1	●	●
8	Bush	Bearing alloy	1	1	●	
9	Magnet ring	Magnet material	1	1	●	
10	Piston packing	NBR	1	1	●	●
11	O-ring	NBR	1	1	●	●
12	Screw	Carbon steel	1	—	●	
13	Cushion	NBR	2	2	●	●
14	O-ring	NBR	2	2	●	●
15	Screw	Stainless steel	8	8	●	
16	Wear ring	Teflon	1	1	●	

\* Material  $\phi 20, \phi 25$ : Stainless steel;  $\phi 32 \sim \phi 100$ : Medium carbon steel.

### Cylinder weight

Unit: g

Model	Basic weight MCJI-11	Stroke 10mm MCJI-11	Basic weight MCJI-12	Stroke 10mm MCJI-12
Tube I.D.				
$\phi 20$	121	14	108	14
$\phi 25$	147	18	135	18
$\phi 32$	238	24	214	24
$\phi 40$	322	32	291	32
$\phi 50$	493	46	455	46
$\phi 63$	703	48	667	48
$\phi 80$	1,260	76	1,190	76
$\phi 100$	2,140	92	2,060	92

### Order example

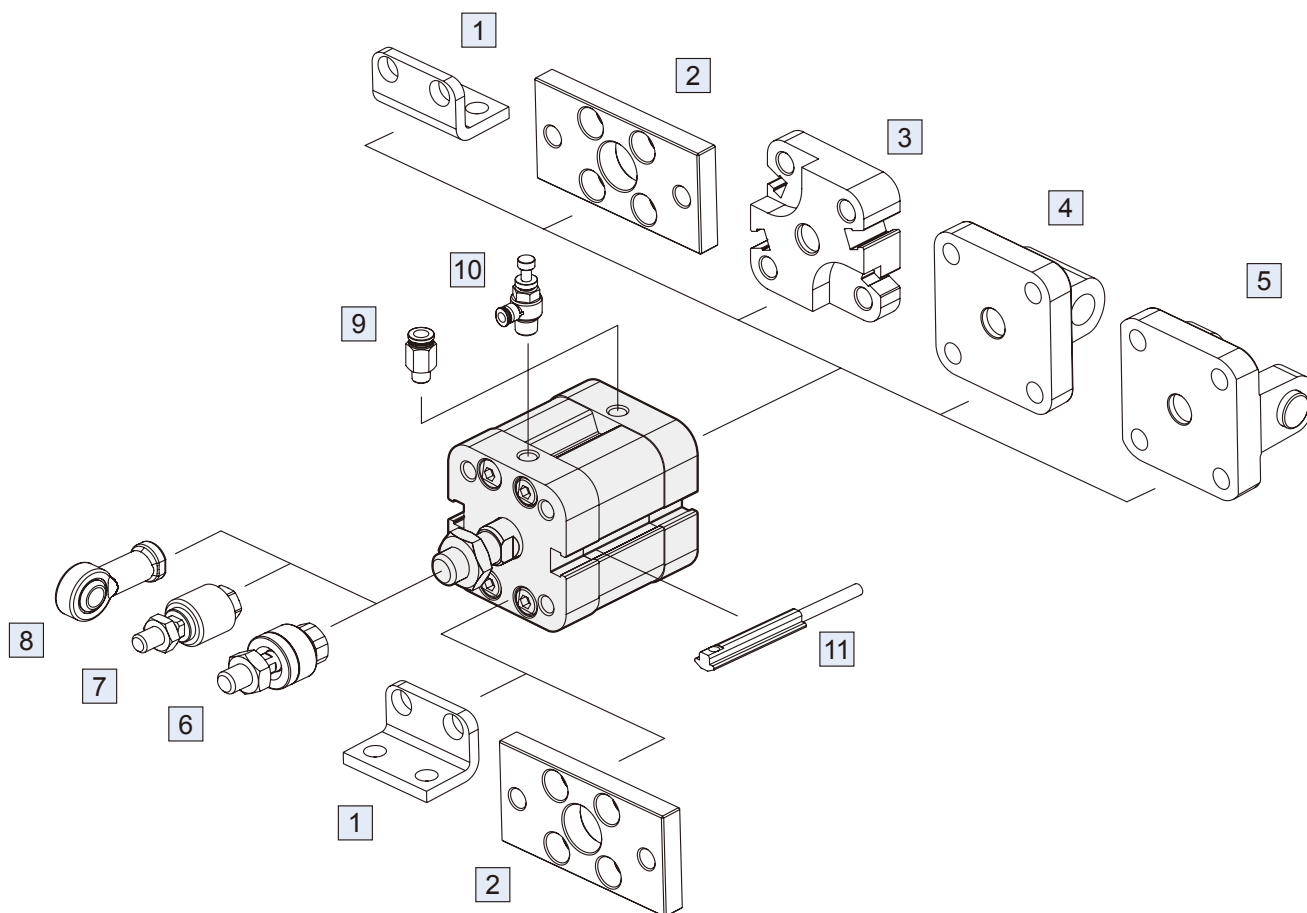
#### Component parts / Repair kits

#### Single rod

Tube I.D.	Component parts	Repair kits
$\phi 20$	CP-MCJI-20	PS-MCJI-20
$\phi 25$	CP-MCJI-25	PS-MCJI-25
$\phi 32$	CP-MCJI-32	PS-MCJI-32
$\phi 40$	CP-MCJI-40	PS-MCJI-40
$\phi 50$	CP-MCJI-50	PS-MCJI-50
$\phi 63$	CP-MCJI-63	PS-MCJI-63
$\phi 80$	CP-MCJI-80	PS-MCJI-80
$\phi 100$	CP-MCJI-100	PS-MCJI-100

#### Double rod

Tube I.D.	Component parts	Repair kits
$\phi 20$	CP-MCJI-2-20	PS-MCJI-2-20
$\phi 25$	CP-MCJI-2-25	PS-MCJI-2-25
$\phi 32$	CP-MCJI-2-32	PS-MCJI-2-32
$\phi 40$	CP-MCJI-2-40	PS-MCJI-2-40
$\phi 50$	CP-MCJI-2-50	PS-MCJI-2-50
$\phi 63$	CP-MCJI-2-63	PS-MCJI-2-63
$\phi 80$	CP-MCJI-2-80	PS-MCJI-2-80
$\phi 100$	CP-MCJI-2-100	PS-MCJI-2-100



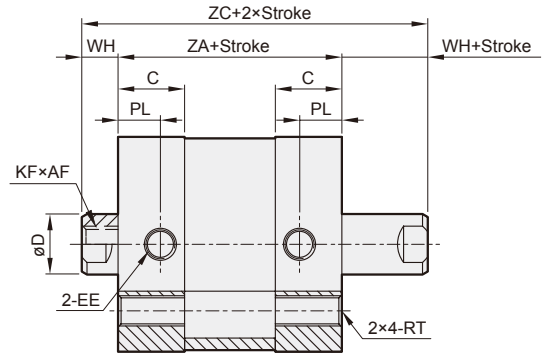
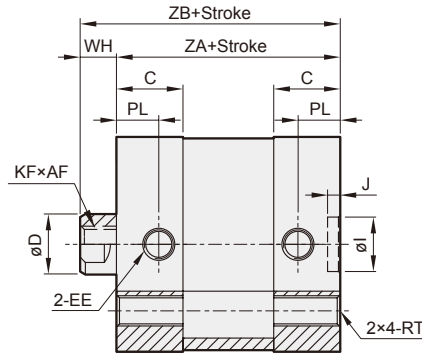
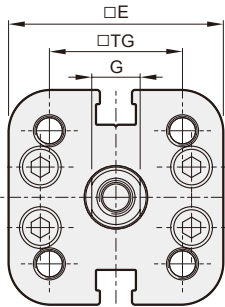
No.	Accessories	Material	Page
1	Mounting accessories LB	Carbon steel	2-56
2	Mounting accessories FAC/FBC	Carbon steel	2-57
3	Mounting accessories MP	Aluminum	2-56
4	Mounting accessories CA	Cast iron	2-58
5	Mounting accessories CB+PIN	Cast iron / *	2-58
6	Floating joint MFC	Carbon steel	8-2
7	Floating joint MFCS	Carbon steel	8-5
8	Female rod ends PHS	Carbon steel	8-6
9	Fitting PC (PISCO)	–	8-5 (Vol.1)
10	Speed controller JSC (PISCO)	–	8-18 (Vol.1)
11	Sensor switch RCI	–	8-13

\* PIN material is carbon steel.

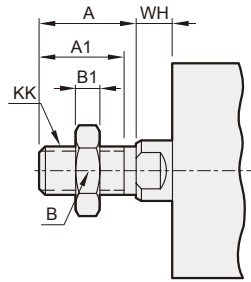
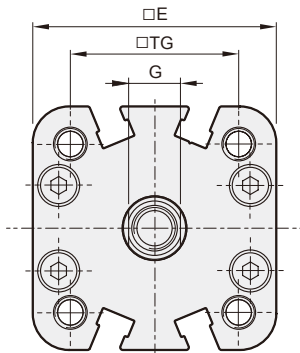
Single rod

Double rod

$\phi 20 \sim \phi 25$



$\phi 32 \sim \phi 100$

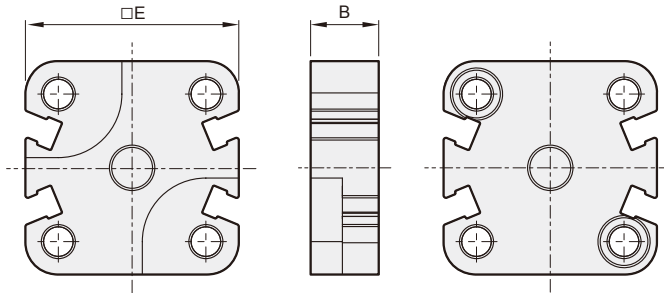


MCJI-11/21 male thread size

Code Tube I.D.	A	A1	B	B1	KK
20	16	14	13	4	M8×1.25
25	16	14	13	4	M8×1.25
32	19	17	17	5	M10×1.25
40	19	17	17	5	M10×1.25
50	22	20	19	6	M12×1.25
63	22	20	19	6	M12×1.25
80	28	26	24	8	M16×1.5
100	28	26	24	8	M16×1.5

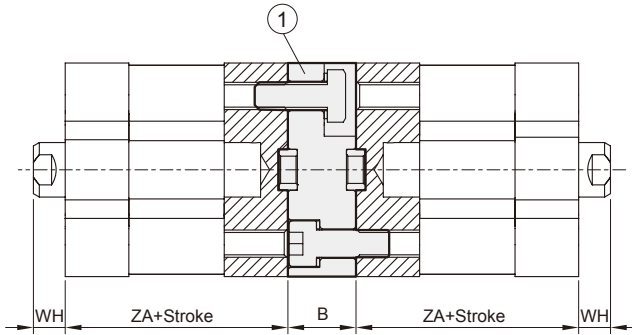
Code Tube I.D.	AF	C	D	E	EE	G	WH	I	J	KF	PL	TG	RT	ZA	ZB	ZC
20	14	11	10	35.5	M5×0.8	8	6	9	2.1	M6×1.0	7	22	M5×0.8	37	43	49
25	14	11	10	39.5	M5×0.8	8	6	9	2.1	M6×1.0	7	26	M5×0.8	39	45	51
32	15	14	12	47.0	G1/8	10	7	9	2.1	M8×1.25	7.5	32.5	M6×1.0	44	51	58
40	15	14	12	54.5	G1/8	10	7	9	2.1	M8×1.25	7.5	38	M6×1.0	45	52	59
50	18	14	16	65.5	G1/8	14	8	12	2.6	M10×1.5	7.5	46.5	M8×1.25	45	53	61
63	18	14.5	16	75.5	G1/8	14	8	12	2.6	M10×1.5	7.5	56.5	M8×1.25	49	57	65
80	20	15.5	20	95.5	G1/8	17	10	12	2.6	M12×1.75	8	72	M10×1.5	54	64	74
100	20	18.5	20	113.5	G1/8	17	10	12	2.6	M12×1.75	9.5	89	M10×1.5	67	77	87

MP

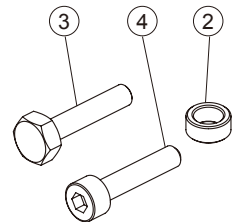


Code Tube I.D.	B	E	WH	ZA	Max. overall stroke
20	13	35.5	6	37	600 mm
25	13	39.5	6	39	600 mm
32	15	47.0	7	44	800 mm
40	15	54.5	7	45	800 mm
50	15	65.5	8	45	800 mm
63	15	75.5	8	49	800 mm
80	17	95.5	10	54	1000 mm
100	19.5	113.5	10	67	1000 mm

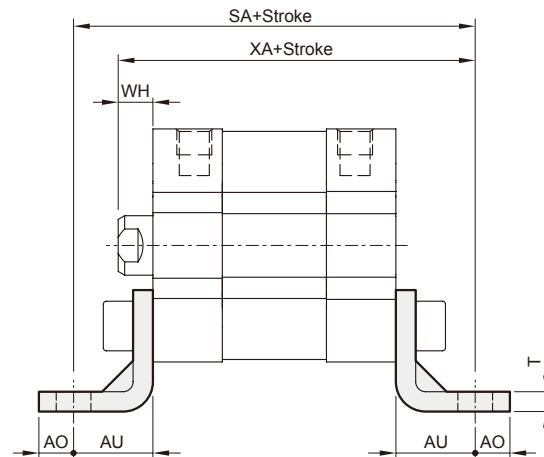
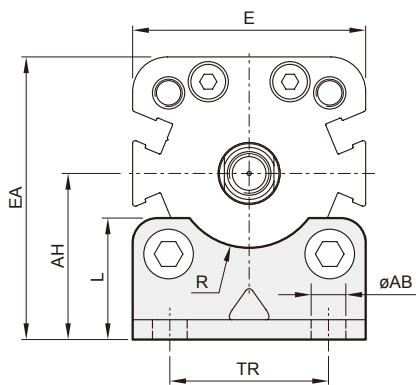
\* The max. overall stroke length may not be exceeded when combining cylinders and multi-position kits.



No.	Part name	Q'y
1	Connection block	1
2	Flange	2
3	Bolt	2
4	Bolt	2



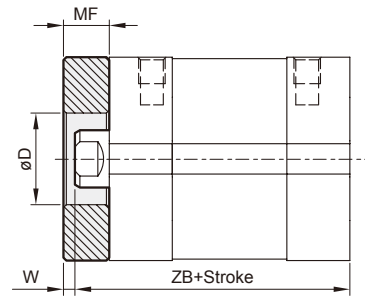
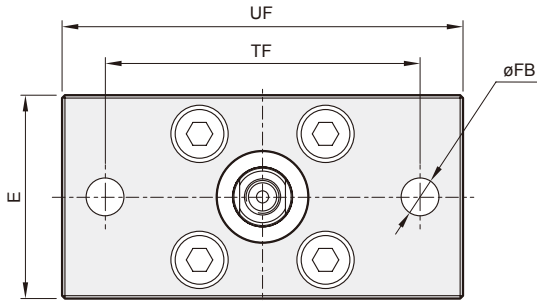
LB



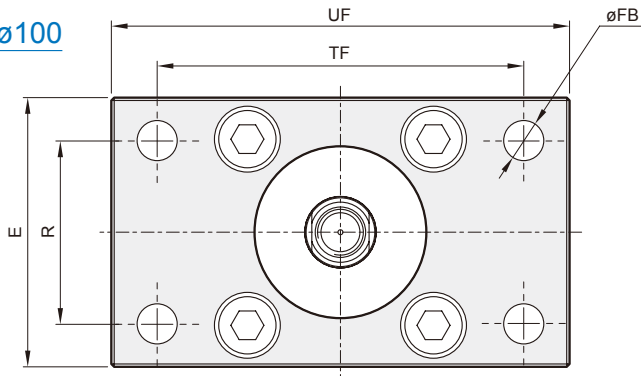
Code Tube I.D.	AB	AH	AO	AU	E	EA	L	R	SA	T	TR	WH	XA
20	7	27	7	16	35.5	44.8	21	—	69	4	22	6	59
25	7	29	7	16	39.5	48.8	22	—	71	4	26	6	61
32	7	33.5	7	16	47.0	57.0	24.5	15	76	4	32	7	67
40	10	38	9	18	54.5	65.3	26	17.5	81	4	36	7	70
50	10	45	9	21	65.5	77.8	31	20	87	5	45	8	74
63	10	50	9	21	75.5	87.8	31	22.5	91	5	50	8	78
80	12	63	11	26	95.5	110.8	40	—	106	6	63	10	90
100	14.5	74	13	27	113.5	130.8	46	—	121	6	75	10	104

**FAC**

$\varnothing 20 \sim \varnothing 25$



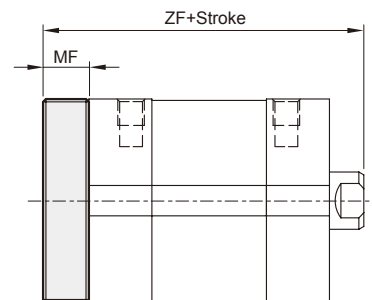
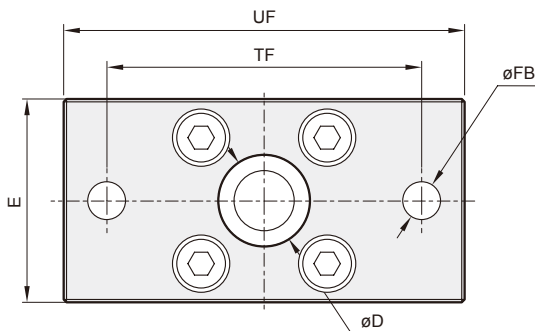
$\varnothing 32 \sim \varnothing 100$



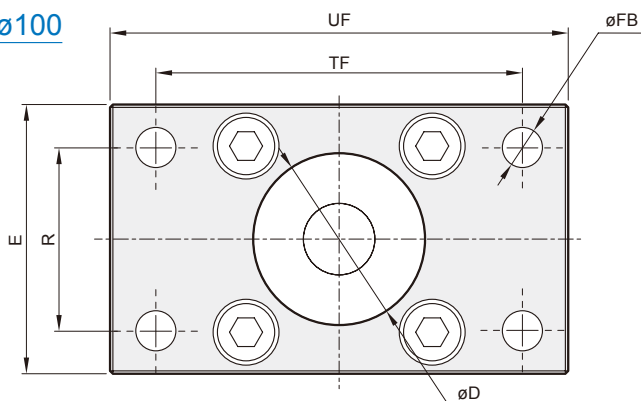
Code Tube I.D.	D	E	FB	MF	R	TF	UF	W	ZB
20	16	35.5	6.6	8	—	55	70	2	43
25	16	39.5	6.6	8	—	60	76	2	45
32	30	47.0	7	10	32	64	80	3	51
40	35	54.5	9	10	36	72	90	3	52
50	40	65.5	9	12	45	90	110	4	53
63	45	75.5	9	12	50	100	120	4	57
80	45	95.5	12	16	63	126	150	6	64
100	55	113.5	14	16	75	150	175	6	77

**FBC**

$\varnothing 20 \sim \varnothing 25$

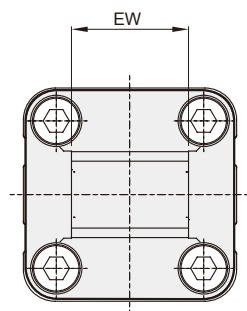
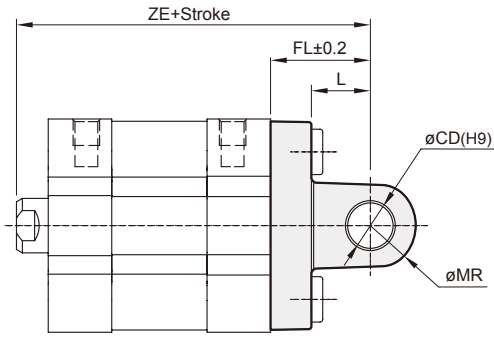


$\varnothing 32 \sim \varnothing 100$



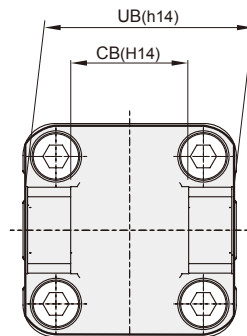
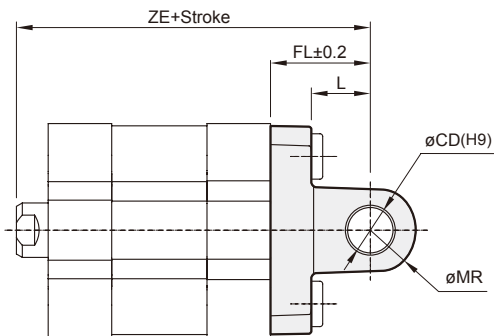
Code Tube I.D.	D	E	FB	MF	R	TF	UF	ZF
20	16	35.5	6.6	8	—	55	70	51
25	16	39.5	6.6	8	—	60	76	53
32	30	47.0	7	10	32	64	80	61
40	35	54.5	9	10	36	72	90	62
50	40	65.5	9	12	45	90	110	65
63	45	75.5	9	12	50	100	120	69
80	45	95.5	12	16	63	126	150	80
100	55	113.5	14	16	75	150	175	93

**CA**



Code Tube I.D.	CD	EW	FL	L	MR	ZE
20	8	16 h12	20	14	8	63
25	8	16 h12	20	14	8	65
32	10	25.8 <sup>+0</sup> <sub>-0.4</sub>	22	13	10	73
40	12	27.8 <sup>+0</sup> <sub>-0.4</sub>	25	16	12	77
50	12	31.8 <sup>+0</sup> <sub>-0.4</sub>	27	16	12	80
63	16	39.8 <sup>+0</sup> <sub>-0.4</sub>	32	21	16	89
80	16	49.8 <sup>+0</sup> <sub>-0.4</sub>	36	22	16	100
100	20	59.8 <sup>+0</sup> <sub>-0.4</sub>	41	30	21	118

**CB**



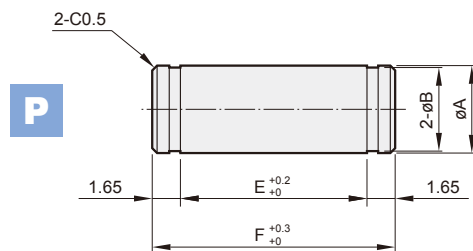
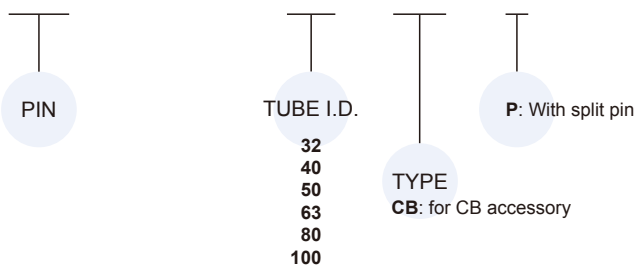
Code Tube I.D.	CB	CD	FL	L	MR	UB	ZE
32	26	10	22	13	10	45	73
40	28	12	25	16	12	52	77
50	32	12	27	16	12	60	80
63	40	16	32	21	16	70	89
80	50	16	36	22	16	90	100
100	60	20	41	29	20	110	118

\*  $\varnothing 20, \varnothing 25$  without CB accessory.

**PIN**

Order example

PIN — MCJI — 32 — CB — P



Code Tube I.D.	A(e8)	B	C	E	F	Snap ring
32	10	9.6	2.65	45.2	50.5	STW-10
40	12	11.5	2.65	52.2	57.5	STW-12
50	12	11.5	2.65	60.2	65.5	STW-12
63	16	15.2	2.65	70.2	75.5	STW-16
80	16	15.2	2.65	90.2	95.5	STW-16
100	20	19	2.85	110.3	116	STW-20