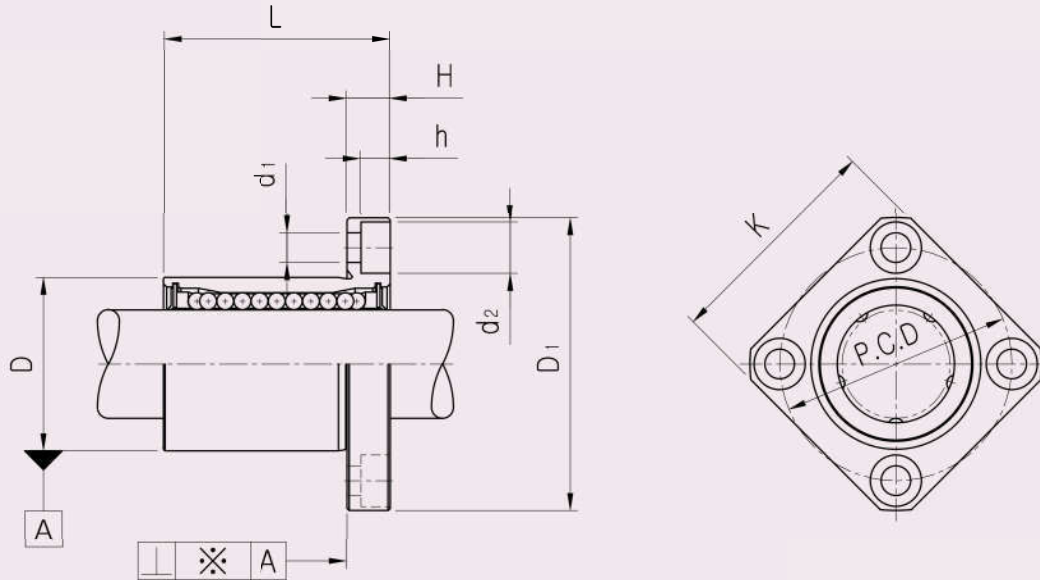


LMEK FLANGED LINEAR BUSHING

● Drawing



● Part Number Notation

LMEK 20 UU - A N S



- European Standard Samick Square Flanged Linear Bushing
- Nominal Shaft Diameter
- Seal

Blank	No Seal
UU	Both Side Seal
U	One Side Seal

- Retainer (material)

Blank	Resin Retainer(Standard)
A	Steel Retainer(High temperature)*1

- Outer-sleeves (by corrosion resistance)

Blank	Standard(SUJ2)
N	Electroless nickel plating
R	Raydent treatment

- Ball type (material)

Blank	High carbon bearing steel ball(Standard)
S	Stainless steel ball

*1 Steel retainer applicable from LMEK8 to LMEK25 only

LMEK FLANGED LINEAR BUSHING

PART NUMBER		WORKING BORE DIAMETER		D		L		D ₁		H	PCD	K	d ₁	d ₂	h	SQUAR ENESS ※(μm)*	BASIC LOAD RATING(N)		NO. OF BALL ROW	WEIGHT (gf) ^{*2}
Resin	Steel	dr. (mm)	CLEAR NCE (mm)	mm	CLEAR NCE (mm)	mm	CLEAR NCE (mm)	mm	CLEAR NCE (mm)							DYNAMIC (C) ^{*1}	STATIC (Co)			
LMEK8UU	LMEK8-A	8	+0.008 0	16	0 -0.008	25		32		5	24	25	3.4	6.5	3.3	12	260	400	4	44
LMEK12UU	LMEK12-A	12		22	0 -0.009	32	0 -0.2	42		6	32	32	4.5	8	4.4	12	410	590	4	86
LMEK16UU	LMEK16-A	16	+0.009 -0.001	26		36		46	0 -0.2	6	36	35	4.5	8	4.4	12	770	1170	5	120
LMEK20UU	LMEK20-A	20		32		45		54		8	43	42	5.5	9.5	5.4	15	860	1370	5	184
LMEK25UU	LMEK25-A	25	+0.011 -0.001	40	0 -0.011	58		62		8	51	50	5.5	9.5	5.4	15	980	1560	6	335
LMEK30UU		30		47		68	0 -0.3	76		10	62	60	6.6	11	6.5	15	1560	2740	6	545
LMEK40UU		40		62	0 -0.013	80		98		13	80	75	9	14	8.6	20	2150	4010	6	1185
LMEK50UU		50	+0.013 -0.002	75		100		112	0 -0.3	13	94	88	9	14	8.6	20	3820	7930	6	1730
LMEK60UU		60		90	0 -0.015	125	0 -0.4	134		18	112	106	11	17.5	10.8	25	4700	9990	6	3180

- ★1 Dynamic load rating is based on the nominal life of 50km
In case of 100km, C on the table need to be divided by 1.26
Ex) 50km basic dynamic load rating(C) of LMEK12 = 410N
100km basic dynamic load rating(C₁₀₀) of LMEK12 = 410/1.26 = 325.40N
- ★2 Based on the weight of resin retainer
- ★3 Main unit : mm
- ★4 1N ≒ 0.102kgf