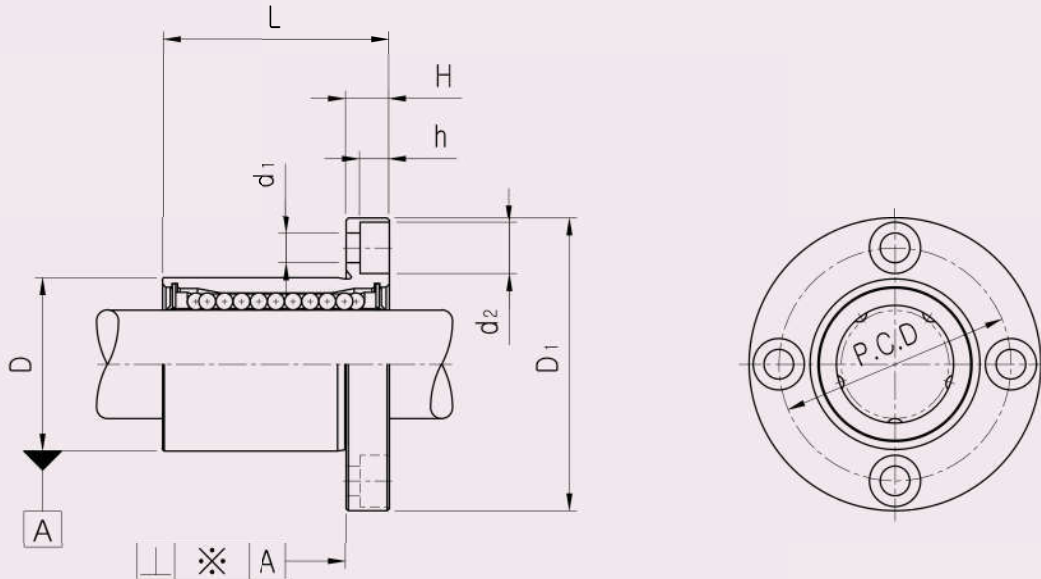


LMEF FLANGED LINEAR BUSHING

● Drawing



● Part Number Notation

LMEF 20 UU - A N S



- European Standard Samick Circular Flanged Linear Bushing
- Nominal Shaft Diameter
- Seal

Blank	No Seal
UU	Both Side Seal
U	One Side Seal

- Retainer (material)

Blank	Resin Retainer(Standard)
A	Steel Retainer(High temperature) ^{★1}

- Outer-sleeves (by corrosion resistance)

Blank	Standard(SUJ2)
N	Electroless nickel plating
R	Raydent treatment

- Ball type (material)

Blank	High carbon bearing steel ball(Standard)
S	Stainless steel ball

★1 Steel retainer applicable from LMEF8 to LMEF25 only

LMEF FLANGED LINEAR BUSHING

PART NUMBER		WORKING BORE DIAMETER		D		L		B		H	PCD	d ₁	d ₂	h	SQUARENESSE ※(μm)*	BASIC LOAD RATING(N)		NO. OF BALL ROW	WEIGHT (gf) ^{*2}
Resin	Steel	dr. (mm)	CLEAR NCE (mm)	mm	CLEAR NCE (mm)	mm	CLEAR NCE (mm)	mm	CLEAR NCE (mm)							DYNAMIC (C) ^{*1}	STATIC (Co)		
LMEF8UU	LMEF8-A	8	+0.008 0	16	0 -0.008	25	0 -0.2	32	0 -0.2	5	24	3.4	6.5	3.3	12	260	400	4	44
LMEF12UU	LMEF12-A	12		22	0 -0.009	32		42		6	32	4.5	8	4.4	12	410	590	4	86
LMEF16UU	LMEF16-A	16	+0.009 -0.001	26	0 -0.011	36	0 -0.3	46	0 -0.3	6	36	4.5	8	4.4	12	770	1170	5	120
LMEF20UU	LMEF20-A	20		32		45		54		8	43	5.5	9.5	5.4	15	860	1370	5	184
LMEF25UU	LMEF25-A	25	+0.011 -0.001	40	0 -0.013	58	0 -0.3	62	0 -0.3	8	51	5.5	9.5	5.4	15	980	1560	6	335
LMEF30UU		30		47		68		76		10	62	6.6	11	6.5	15	1560	2740	6	545
LMEF40UU		40	+0.013 -0.002	62	0 -0.015	80	0 -0.4	98	0 -0.4	13	80	9	14	8.6	20	2150	4010	6	1185
LMEF50UU		50		75		100		112		13	94	9	14	8.6	20	3820	7930	6	1730
LMEF60UU		60		90		125		134		18	112	11	17.5	10.8	25	4700	9990	6	3180

- ★1 Dynamic load rating is based on the nominal life of 50km
In case of 100km, C on the table need to be divided by 1.26
Ex) 50km basic dynamic load rating(C) of LMEF12 = 410N
100km basic dynamic load rating(C₁₀₀) of LMEF12 = 410/1.26 = 325.40N
- ★2 Based on the weight of resin retainer
- ★3 Main unit : mm
- ★4 1N ≒ 0.102kgf