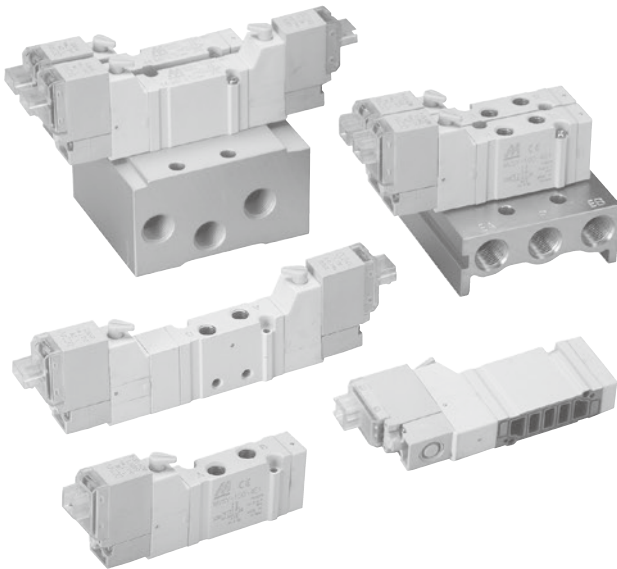


MVSY-100 series

SOLENOID VALVE



Mindman



Specification

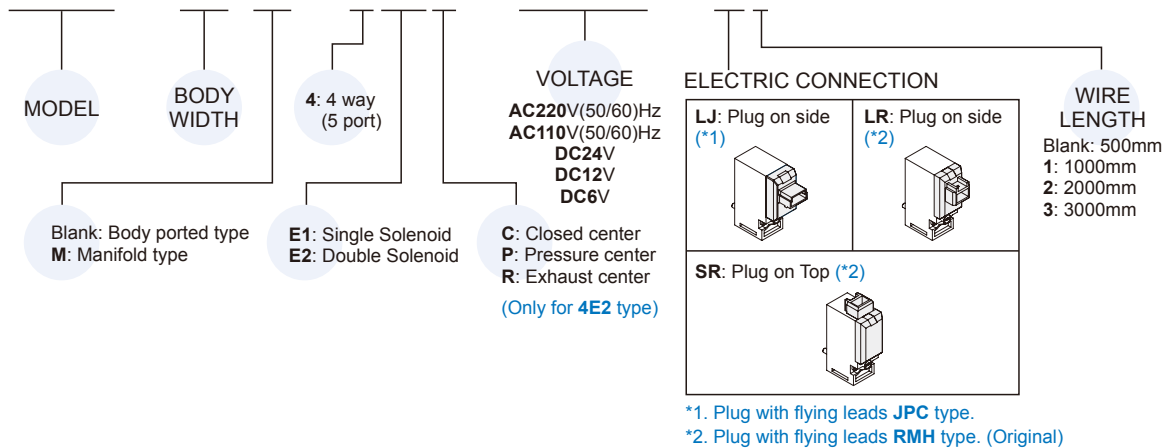
| Model | 4E1 | 4E2 | 4E2 C.P.R |
|--------------------------|---------------------------------------|---------------------|-------------------------------|
| Bore No. | M5 | | |
| Port size | M5×0.8 | | |
| No. of port | 5 | | |
| No. of position | 2 | 3 | |
| Medium | Air | | |
| Operating perssure range | 0.2~0.7 MPa | | |
| Proof pressure | 1 MPa | | |
| Effective orifice | Body ported | 4.5 mm ² | |
| | Manifold | 4.5 mm ² | 4.5 / 5 / 4.5 mm ² |
| Reponse time | 12 ms | 15 ms | |
| Ambient temperature | +5~+50°C | | |
| Max. operating frequency | 5 Hz | | |
| Voltage | AC110V, 220V (50/60)Hz, DC24/12/6V | | |
| Power consumption | AC=1.6/2.5VA, DC6=1.2W, DC12/24=0.55W | | |
| Available voltage range | ±10% | | |
| Insulation class | B class | | |
| Weight | 30 g | 44 g | 59 g |

Caution

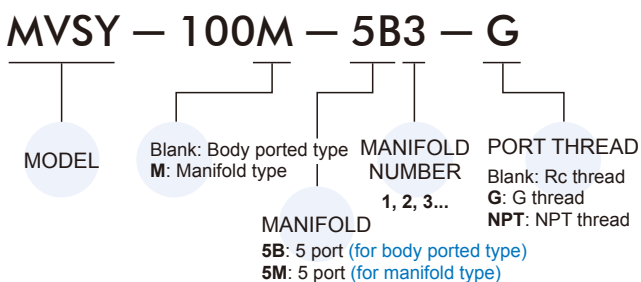
- Don't continuous energizing for about 2 hours or more.
- The total energizing time of a day don't exceeds the total non-energizing time even if it is intermittent energizing.

Order example of valve

MVSY – 100M – 4E2C – AC110 – LJ1

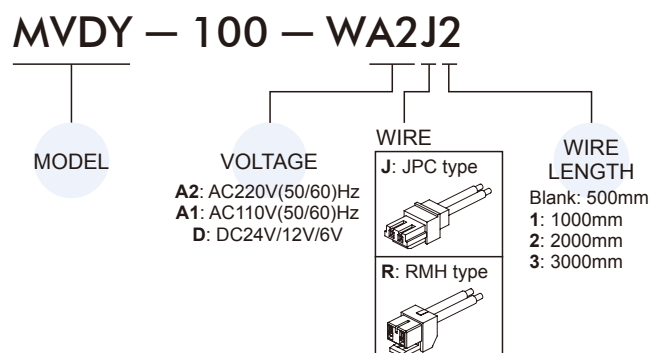


Order example of manifold



Order example of wire

* Use the same wire with MVDY.

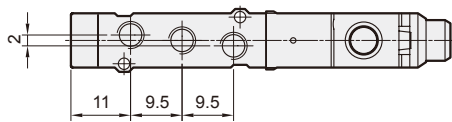
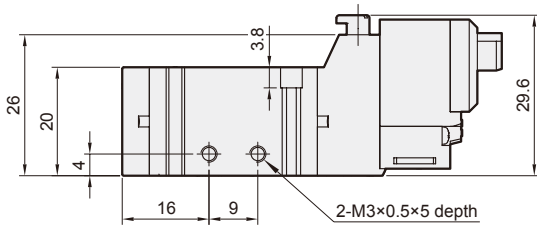
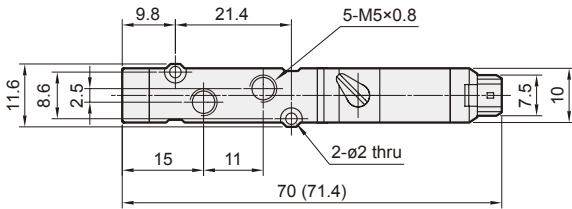
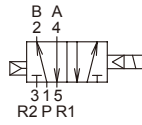


MVSY-100 Dimensions

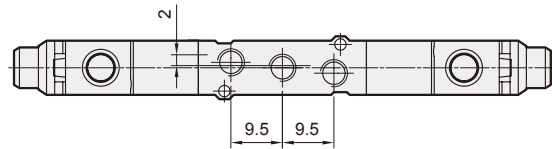
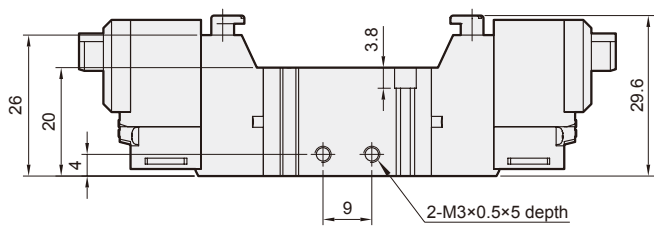
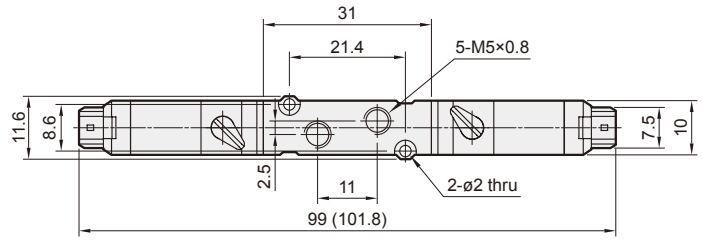
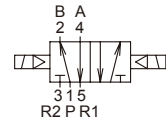
SOLENOID VALVE



MVSY-100-4E1



MVSY-100-4E2

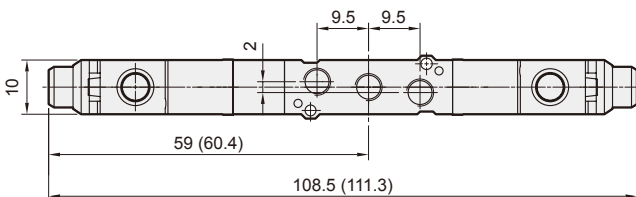
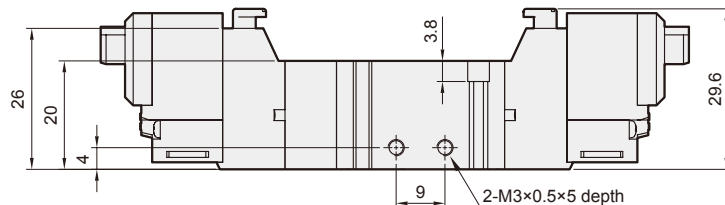
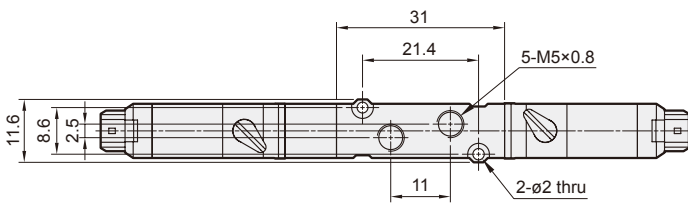
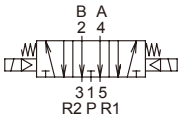
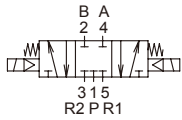


MVSY-100-4E2C.PR

MVSY-100-4E2C

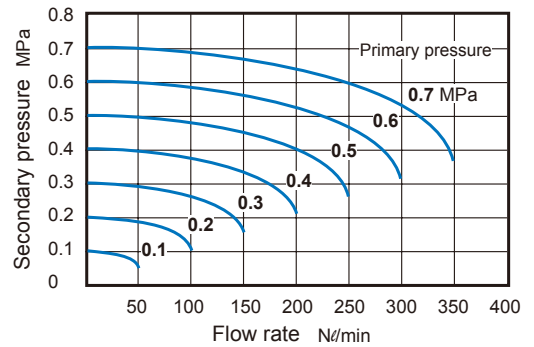
MVSY-100-4E2P

MVSY-100-4E2R



Flow features

MVSY-100-4E1/4E2



() : Dimension for LJ plug type.

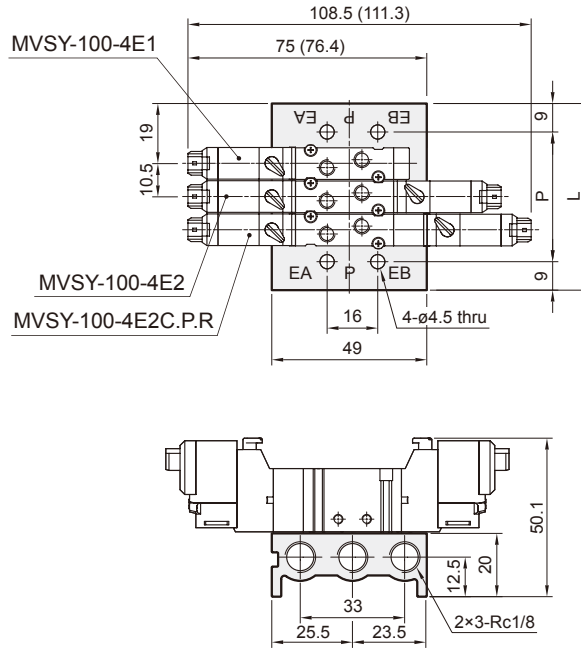
MVSY-100 Manifold

SOLENOID VALVE



MVSY-100-5B*

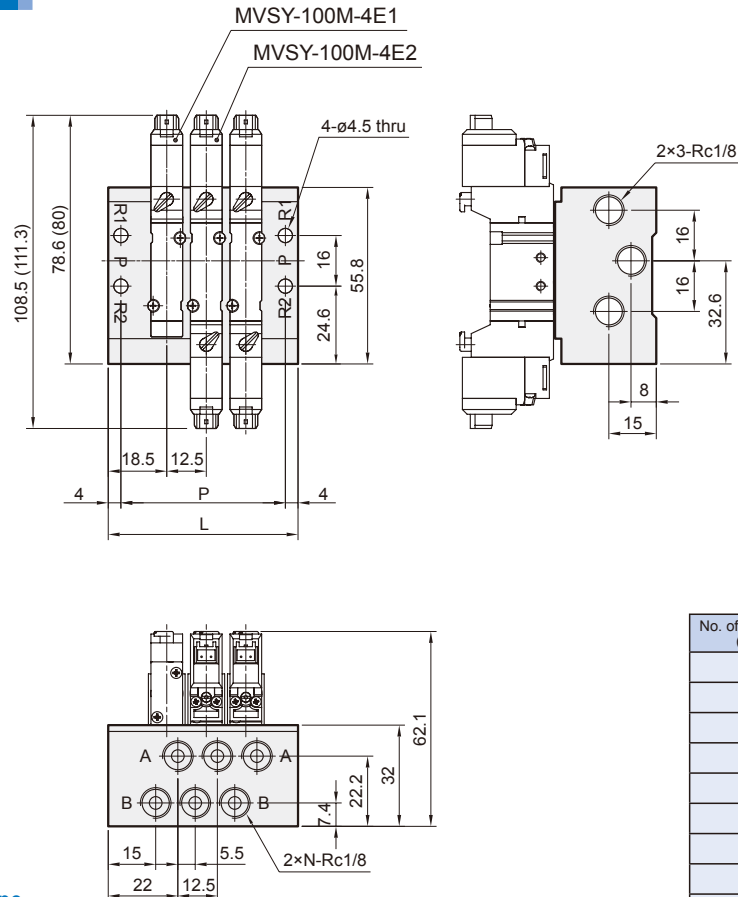
5 port (for body ported type)



| No. of stations | P | L |
|-----------------|-------|-------|
| 2 | 30.5 | 48.5 |
| 3 | 41 | 59 |
| 4 | 51.5 | 69.5 |
| 5 | 62 | 80 |
| 6 | 72.5 | 90.5 |
| 7 | 83 | 101 |
| 8 | 93.5 | 111.5 |
| 9 | 104 | 122 |
| 10 | 114.5 | 132.5 |

MVSY-100M-5M*

5 port (for manifold type)



| No. of stations (N) | P | L |
|---------------------|-------|-------|
| 2 | 39.5 | 47.5 |
| 3 | 52 | 60 |
| 4 | 64.5 | 72.5 |
| 5 | 77 | 85 |
| 6 | 89.5 | 97.5 |
| 7 | 102 | 110 |
| 8 | 114.5 | 122.5 |
| 9 | 127 | 135 |
| 10 | 139.5 | 147.5 |

(): Dimension for LJ plug type.

MVSY-100 Mounting bracket

SOLENOID VALVE



Order example of bracket

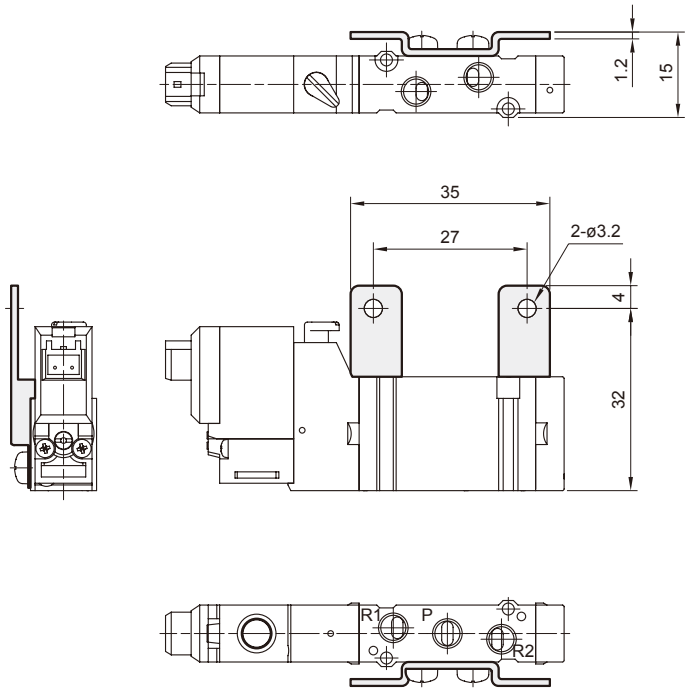
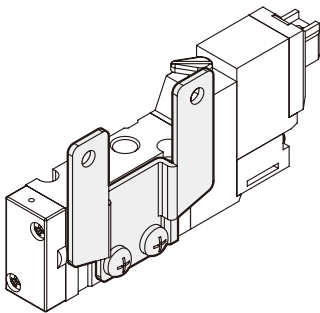
MVSY – 100 – 1A

MODEL

MOUNTING BRACKET

1A
2A

MVSY-100-1A



MVSY-100-2A

