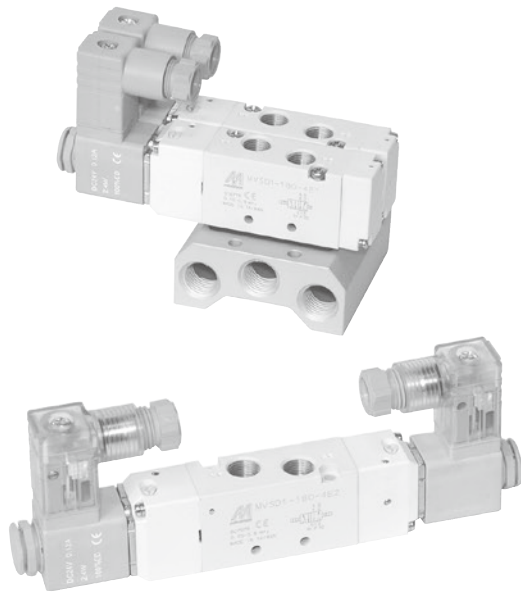


# MVSD1-180 series

SOLENOID VALVE



Mindman

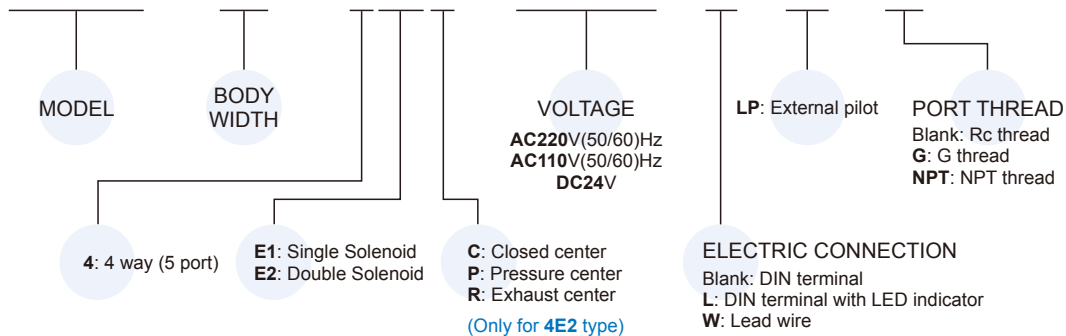


## Specification

Model	4E1	4E2	4E2 C.P.R
Bore No.	6A		
Port size	Rc1/8		
No. of port	5		
No. of position	2	3	
Medium	Air		
Operating pressure range	0.15~0.8 MPa	0.2~0.7 MPa	
Operating pressure (LP)	0~0.8 MPa	0~0.7 MPa	
External pilot pressure (LP)	0.15~0.8 MPa	0.2~0.7 MPa	
Proof pressure	1 MPa		
Effective orifice	12 mm <sup>2</sup>	9 mm <sup>2</sup>	
Response time	30 ms		
Ambient temperature	-5~+50°C (No freezing)		
Voltage	AC110V, 220V (50/60)Hz, DC24V		
Power consumption	AC=3.7/3.1VA, DC=2.9W		
Available voltage range	±10%		
Insulation class	F class		
Weight	124 g	176 g	190 g

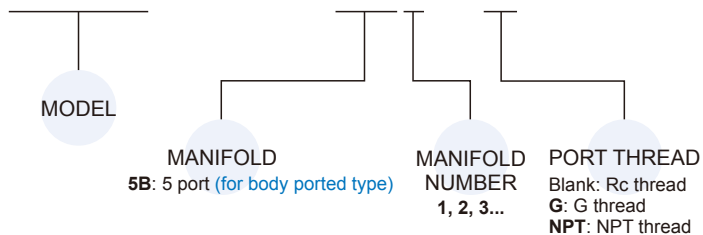
## Order example of valve

MVSD1 - 180 - 4E2C - AC110 - L - LP - G



## Order example of manifold

MVSD1 - 180 - 5B3 - G

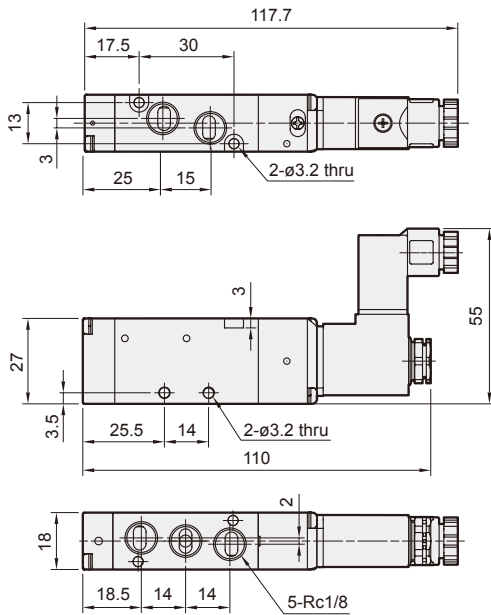
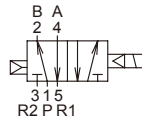


# MVSD1-180 Dimensions

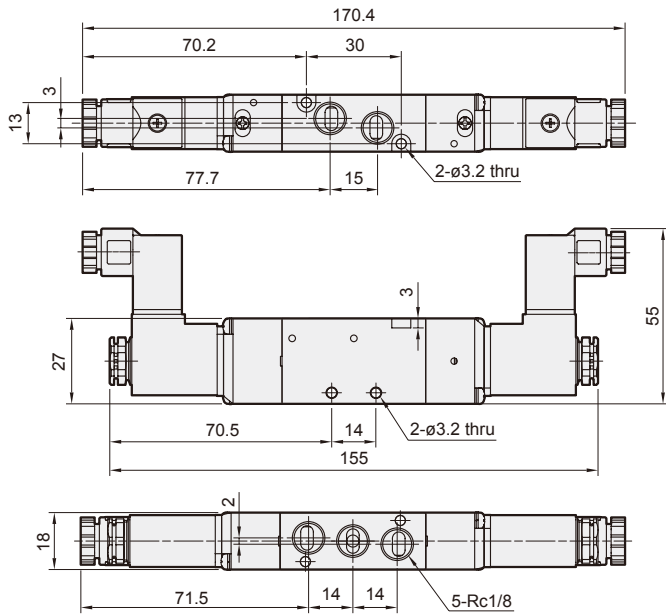
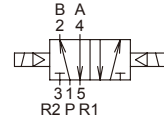
## SOLENOID VALVE



### MVSD1-180-4E1



### MVSD1-180-4E2

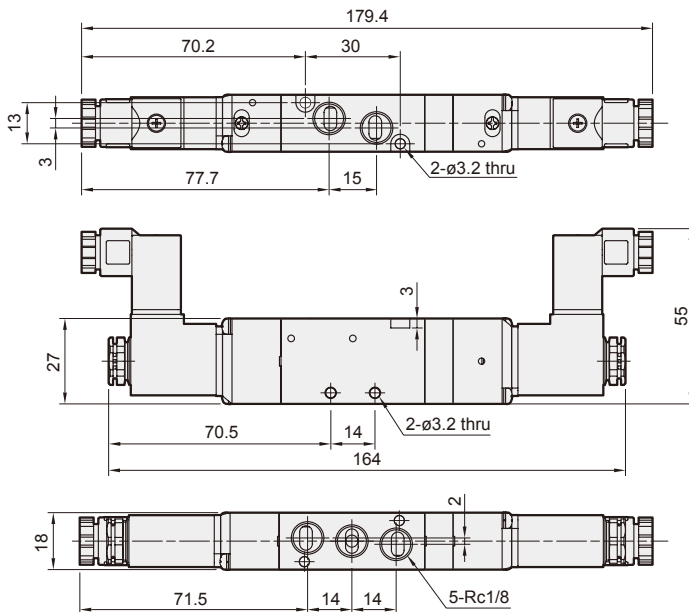
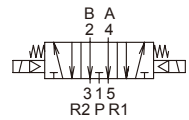
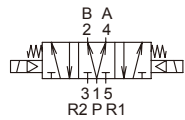
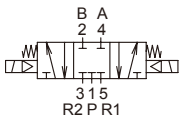


### MVSD1-180-4E2C.P.R

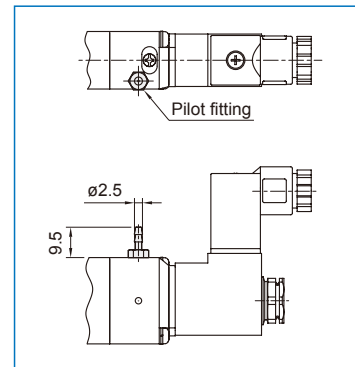
#### MVSD1-180-4E2C

#### MVSD1-180-4E2P

#### MVSD1-180-4E2R

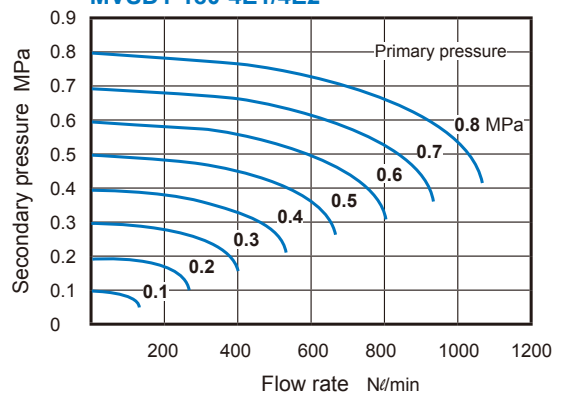


### LP



### Flow features

#### MVSD1-180-4E1/4E2



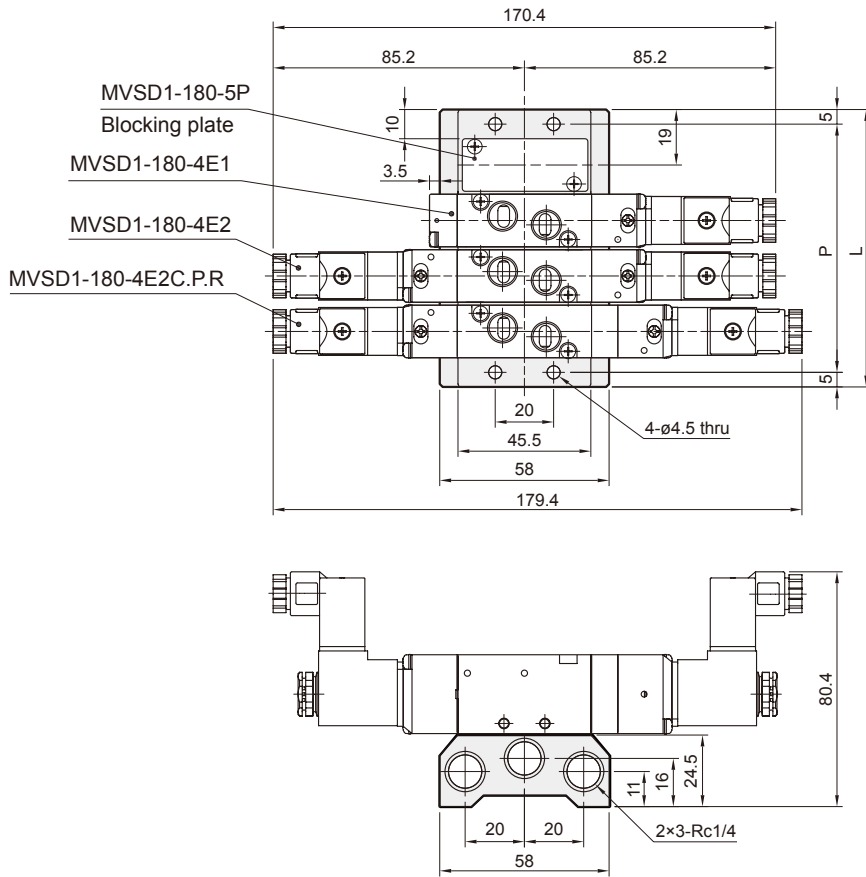
# MVSD1-180 Manifold

SOLENOID VALVE



## MVSD1-180-5B\*

5 port (for body ported type)



No. of stations	P	L
2	47	57
3	66	76
4	85	95
5	104	114
6	123	133
7	142	152
8	161	171
9	180	190
10	199	209