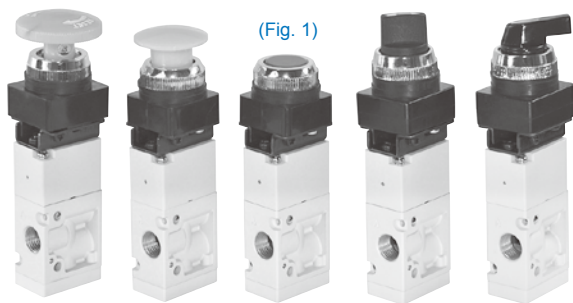


MVMB-220-3** series

MECHANICAL VALVE

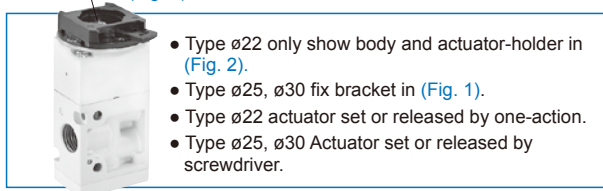


(Fig. 1)

Specification

Model	MVMB-220-3**
Bore No.	8A
Port size	Rc1/4
No. of port	3
No. of position	2
Medium	Air
Operating pressure range	0.15~0.8 MPa
Proof pressure	1 MPa
Effective orifice	18 mm ²
Ambient temperature	-5~+60°C (No freezing)
Weight	210 g

Actuator-holder (Fig. 2)



- Type $\phi 22$ only show body and actuator-holder in (Fig. 2).
- Type $\phi 25$, $\phi 30$ fix bracket in (Fig. 1).
- Type $\phi 22$ actuator set or released by one-action.
- Type $\phi 25$, $\phi 30$ Actuator set or released by screwdriver.

Order example

MVMB — 220 — 3EB — 25R — G

MODEL

BODY WIDTH

3: 3way (3 port)

BUTTON SIZE

22: $\phi 22$
25: $\phi 25$
30: $\phi 30$

PORT THREAD

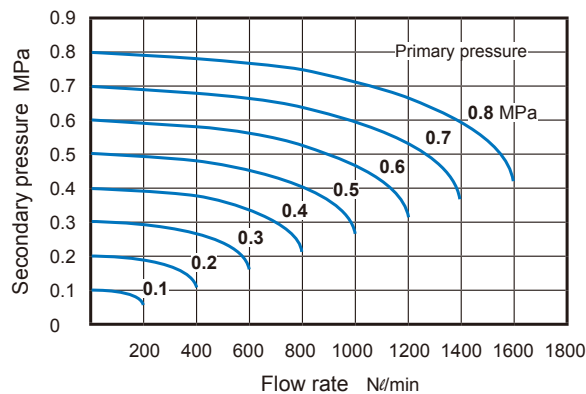
Blank: Rc thread
G: G thread
NPT: NPT thread

B1: Body (without button)
EB: Latching palm button
LB: Extended twist button
TB: Twist button
PB: Mushroom palm button
PP: Push button

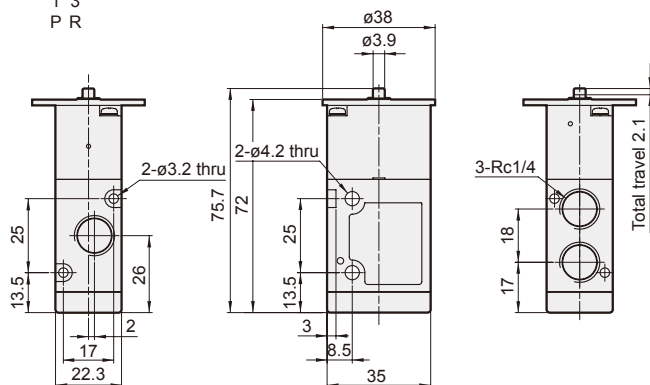
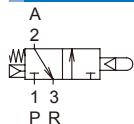
BUTTON COLOR

Color	Type
—	B1 type
G: Green	EB type
R: Red	EB type
B: Black	LB type TB type
B: Black	PB type
G: Green	PP type
R: Red	PP type

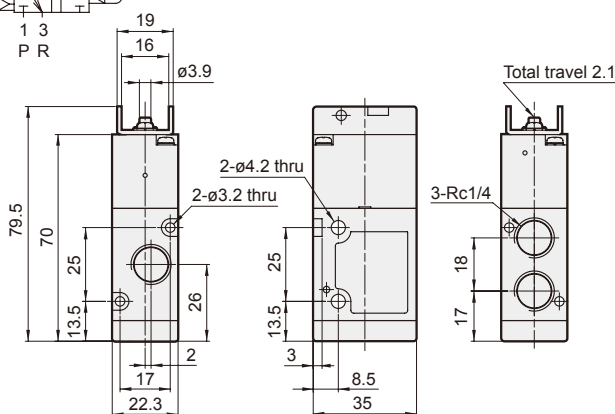
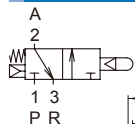
Flow features



3B1-22



3B1-25/30

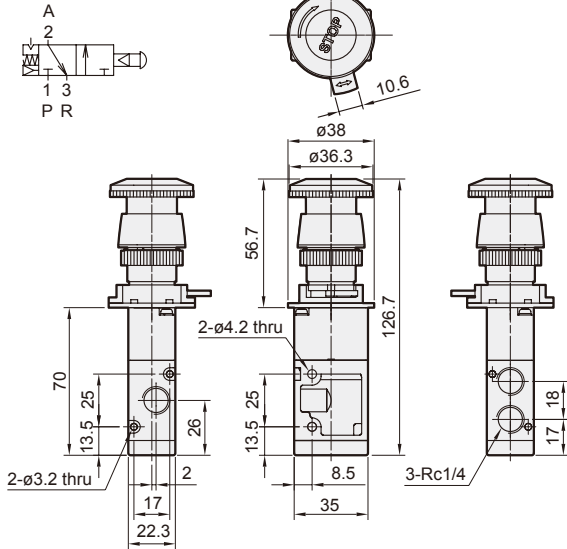


MVMB-220-3** Dimensions

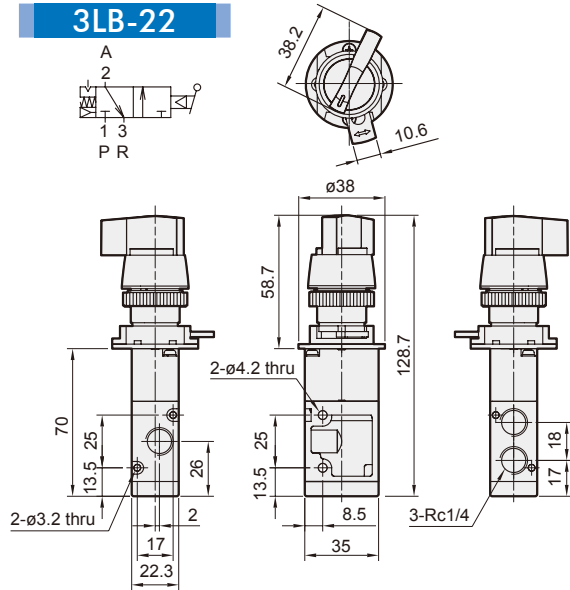
MECHANICAL VALVE



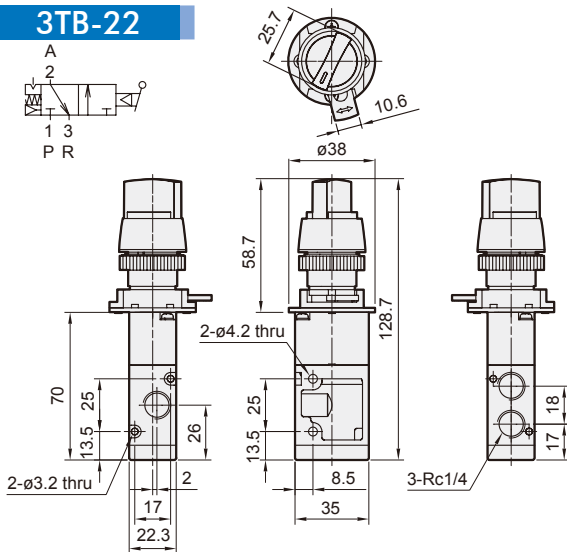
3EB-22



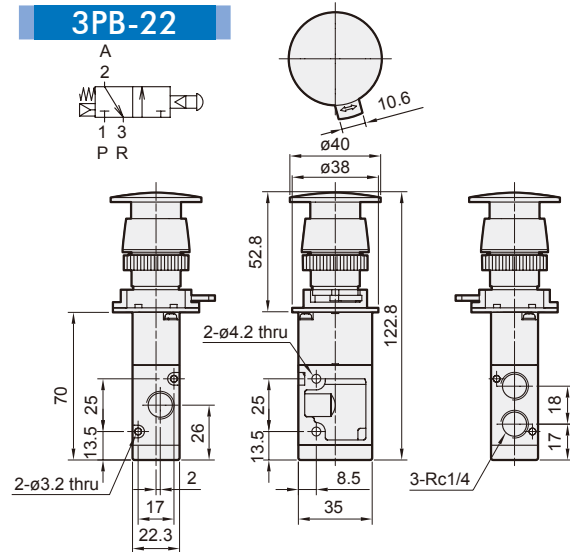
3LB-22



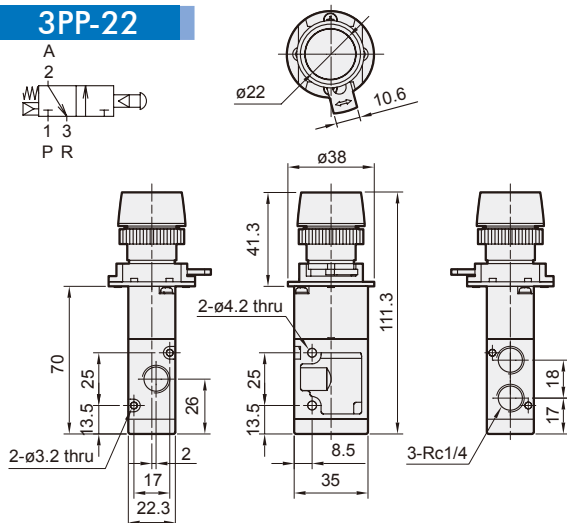
3TB-22



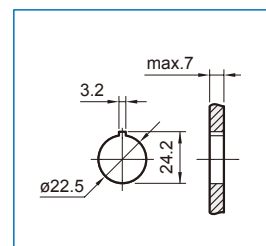
3PB-22



3PP-22



Panel mounting hole

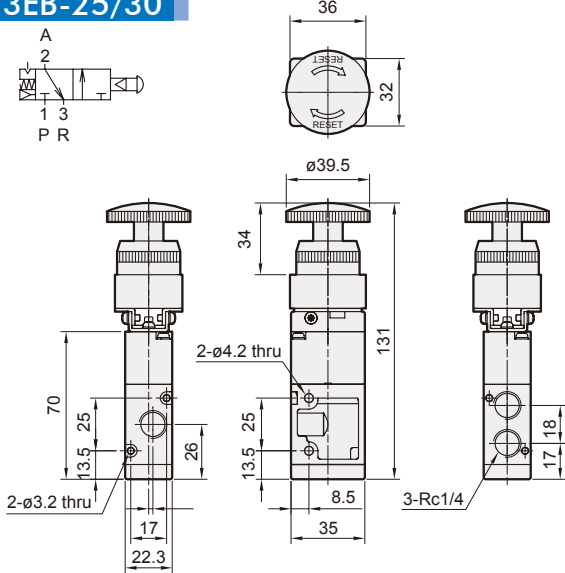


MVMB-220-3** Dimensions

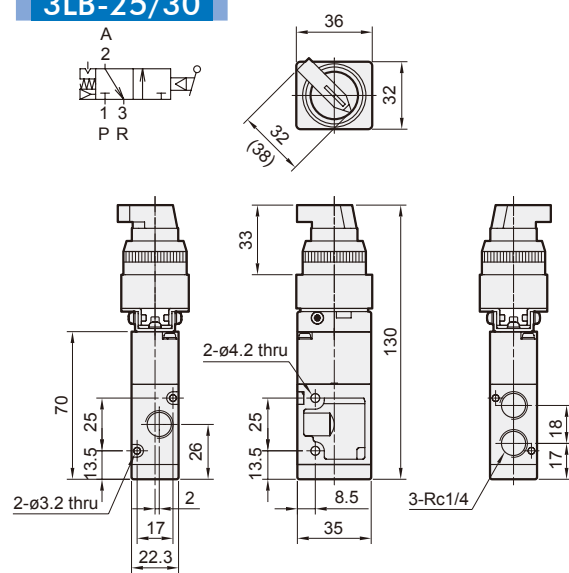
MECHANICAL VALVE



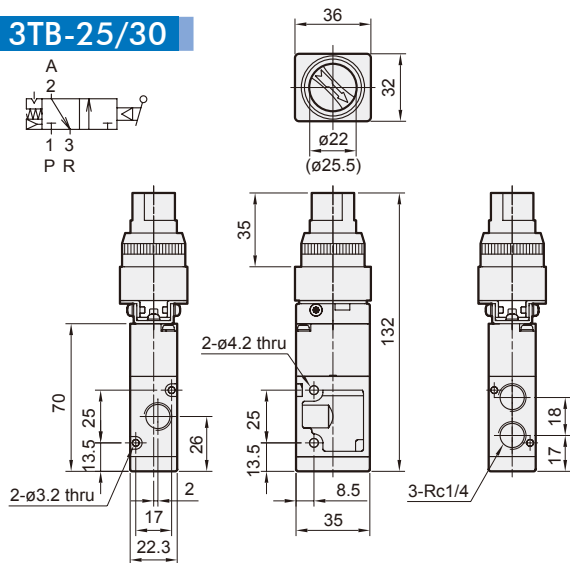
3EB-25/30



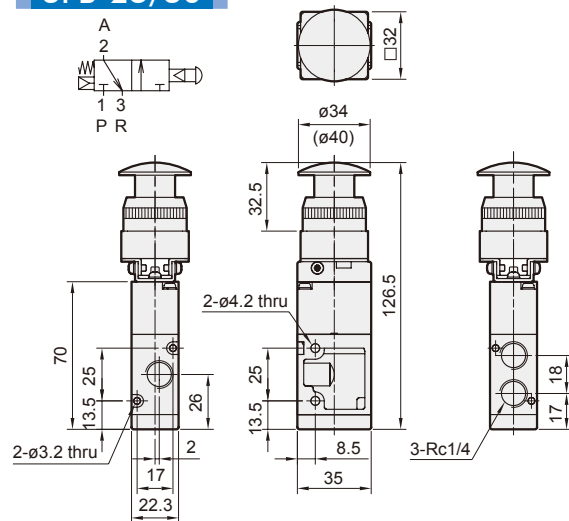
3LB-25/30



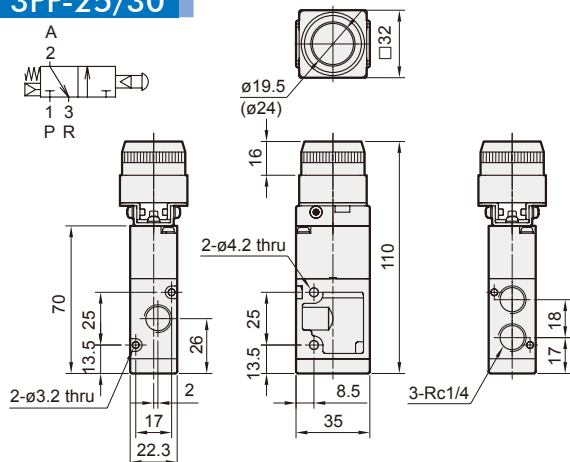
3TB-25/30



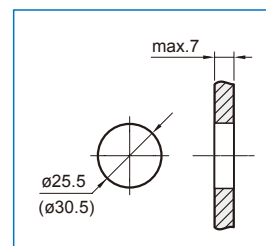
3PB-25/30



3PP-25/30



Panel mounting hole



(): Dimension for button size $\phi 30$.