

Specification



Model	MVHC-2**		MVHC-3**				MVHC-4**				
Bore No.	6A	8A	8A	10A	15A	8A	10A	15A	20A		
No. of port	4										
Medium	Air										
Operating pressure range	0.05~1 MPa										
Effective orifice (mm ²)	7	26	29	33	26	59	64	71			
Ambient temperature	-5~+60°C (No freezing)										
Option	Mounting nut										
Weight	280 g		420 g				1100 g				

Bore size	6A	8A	10A	15A	20A
Model	Rc1/8	Rc1/4	Rc3/8	Rc1/2	Rc3/4
MVHC-2**					
MVHC-3**					
MVHC-4**					

Order example

MVHC - 200 - 4H - 8A - □ - G

MODEL

BODY SIZE

4: 4way (4 port)

BORE SIZE

6A: Rc1/8

8A: Rc1/4

10A: Rc3/8

15A: Rc1/2

20A: Rc3/4

M: Mounting nut

PORT THREAD

Blank: Rc thread

G: G thread

NPT: NPT thread

PORT POSITION

0: Side

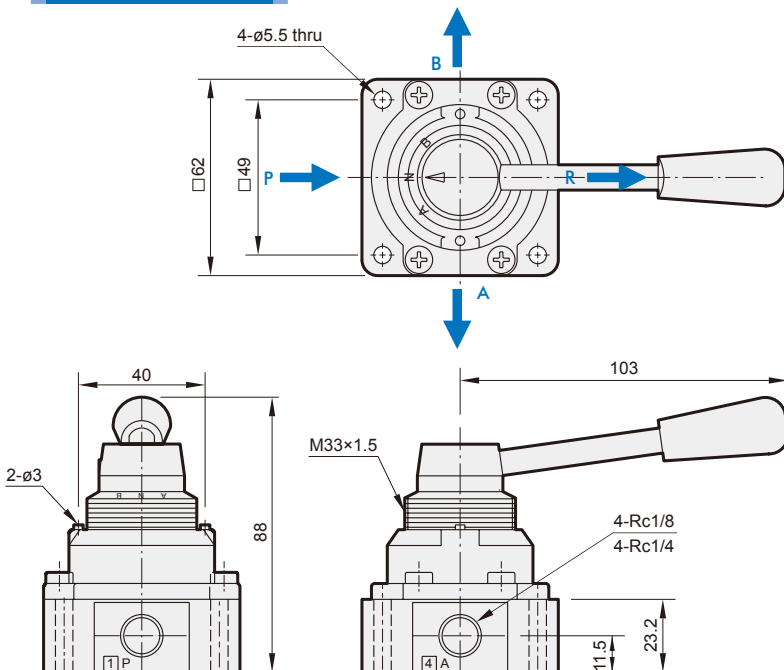
2: Bottom (Only for 3,4 body size type)

TYPE (*)

* TYPE

Code	Symbol	Description
0		3 Position Close center
1		3 Position Exhaust center
2		2 Position

MVHC-20*



Order example of mounting nut

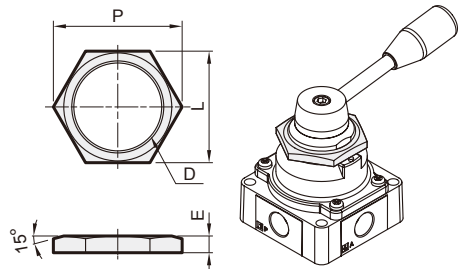
MVHC - 200 - M

BODY SIZE

200

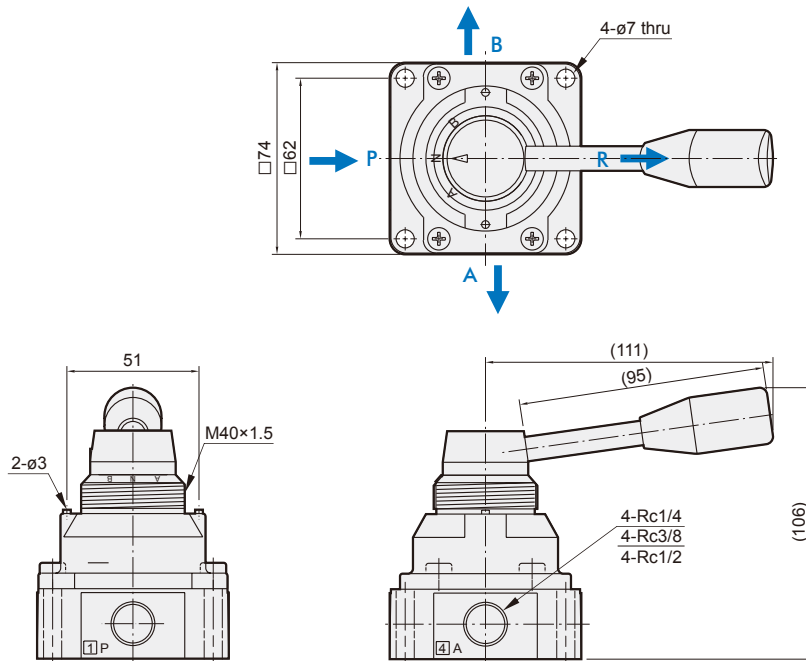
300

400

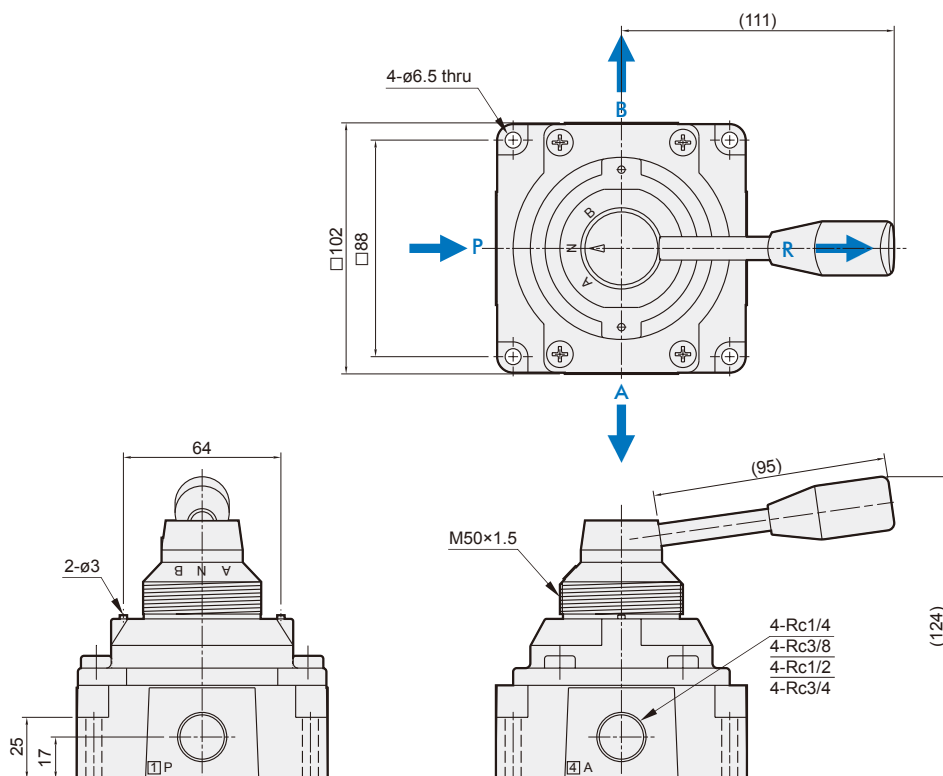


Model	D	E	L	P	Weight
MVHC-200-M	M33×1.5	6	41	46	26.5 g
MVHC-300-M	M40×1.5	6	50	57	41 g
MVHC-400-M	M50×1.5	8	55	63	40 g

MVHC-30*



MVHC-40*

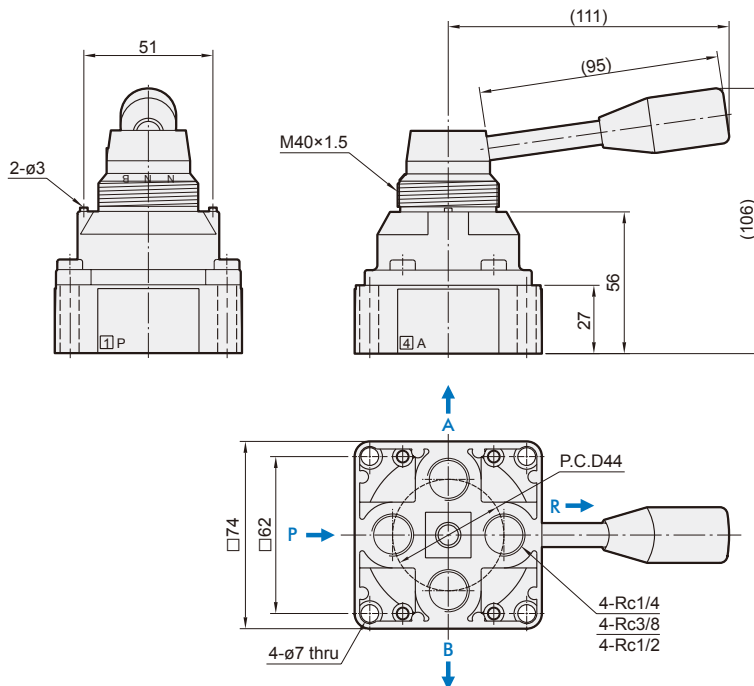


MVHC Dimensions

ROTARY HAND LEVER VALVE



MVHC-32*



MVHC-42*

