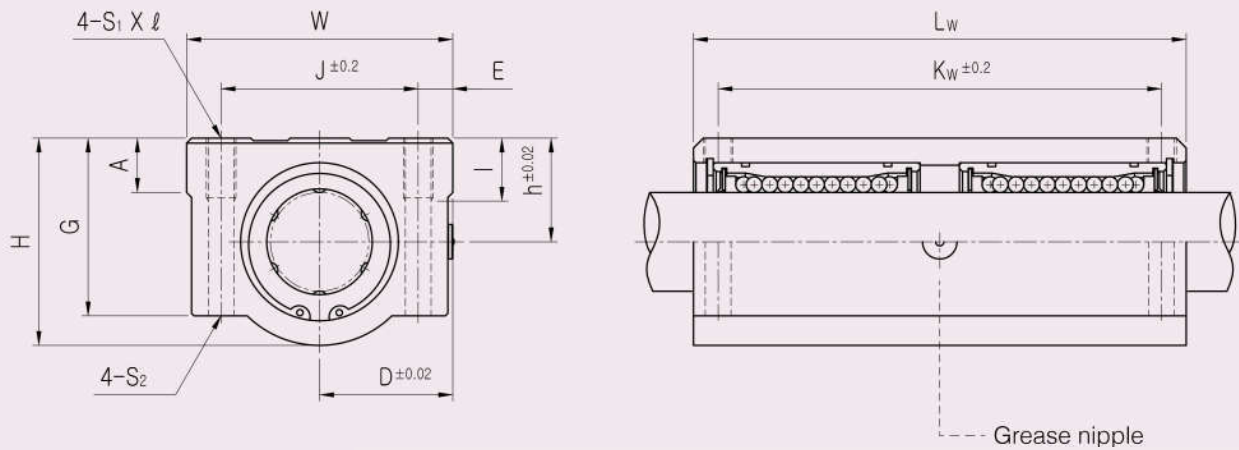


**SCE\_W** ALUMINUM CASE UNIT LONG

● **Drawing**



● **Part Number Notation**

**SCE 20 W UU - A N S**



- Aluminum Case Unit
- Nominal Shaft Diameter
- Linear Bushing Long Type (for high load)
- Seal

Blank	No Seal
UU	Both Side Seal
U	One Side Seal

- Retainer (material)

Blank	Resin Retainer(Standard)
A	Steel Retainer(High temperature) *1

- Outer-sleeves (by corrosion resistance)

Blank	Standard(SUJ2)
N	Electroless nickel plating
R	Raydent treatment

- Ball type (material)

Blank	High carbon bearing steel ball(Standard)
S	Stainless steel ball

\*1 Steel retainer applicable from SCE8W to SCE25W only

## SCE\_W ALUMINUM CASE UNIT LONG

PART NUMBER	L/B	h	D	W	H	G	A	J	E	S <sub>1</sub> ×ℓ	S <sub>2</sub>	K <sub>w</sub>	L <sub>w</sub>	BASIC LOAD RATING(N) <sup>*4</sup>		WEIGHT (gf) <sup>*2</sup>
														DYNAMIC (C) <sup>*1</sup>	STATIC (C <sub>0</sub> )	
SCE8WUU-B	LME8U×2	11	17	34	22	18	6	24	5	M4×8	Φ3.4	42	58	410	800	98
SCE12WUU-B	LME12U×2	15	22	44	30	24.5	8	33	5.5	M5×10	Φ4.3	64	77	650	1180	232
SCE16WUU-B	LME16U×2	19	25	50	38.5	32.5	9	36	7	M5×12	Φ4.3	79	89	1230	2340	360
SCE20WUU-B	LME20U×2	21	27	54	41	35	11	40	7	M6×12	Φ5.2	90	106	1370	2740	490
SCE25WUU-B	LME25U×2	26	38	76	51.5	41	12	54	11	M8×18	Φ6.8	119	136	1560	3120	1100
SCE30WUU-B	LME30U×2	30	39	78	59.5	49	15	58	10	M8×18	Φ6.8	132	154	2490	5480	1525
SCE40WUU-B	LME40U×2	40	51	102	78	62	20	80	11	M10×25	Φ8.6	150	180	3440	8020	3400
SCE50WUU-B	LME50U×2	52	61	122	102	80	24	100	11	M10×25	Φ8.6	200	230	6110	15860	5920

- ★1 Dynamic load rating is based on the nominal life of 50km  
In case of 100km, C on the table need to be divided by 1.26  
Ex) 50km basic dynamic load rating(C) of SCE12W = 650N  
100km basic dynamic load rating(C<sub>100</sub>) of SCE12W = 650/1.26 = 515.87N
- ★2 Based on the weight of resin retainer
- ★3 Main unit : mm
- ★4 1N ≒ 0.102kgf
- ★5 Steel retainer applicable from SCE8W to SCE25W only