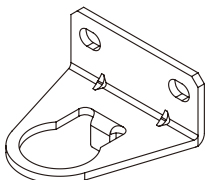
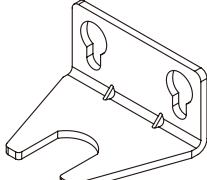
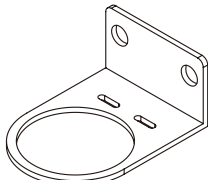
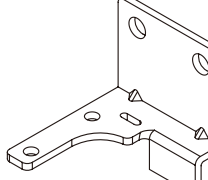
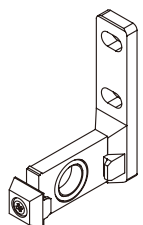
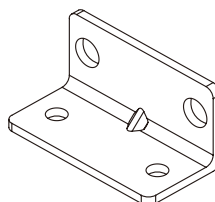
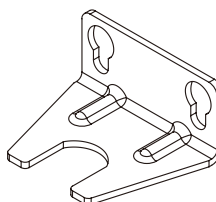
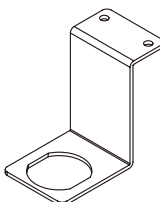
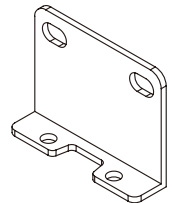
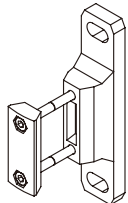
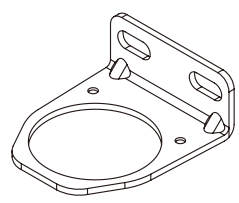
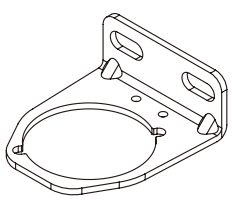
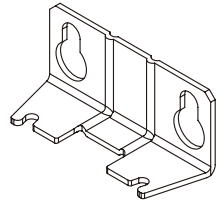
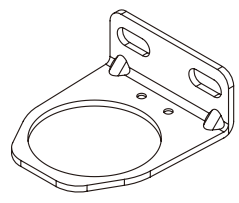
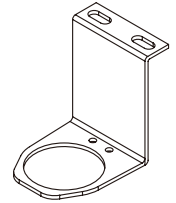
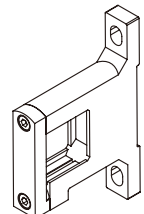


Bracket

Order example	B1-MAR100	B1-MAIR100	B1-MAR200	B1-MAL200 (*)
Pictures				
Applicable model	MAR100, MAFR100	MAIR100	MACP200, MACT200 MAFR200, MAR200 MAR201	MAL200

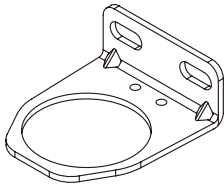
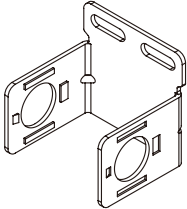
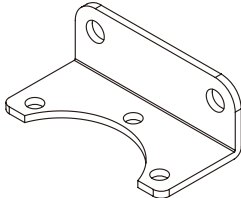
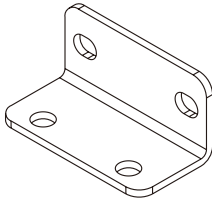
Order example	BL-MACP200	B1-MAF200 (*)	B1-MAIR200	B3-MAR200
Pictures				
Applicable model	MACP200, MACT200	MAF200	MAIR200	MAFR200, MAR200 MAR201

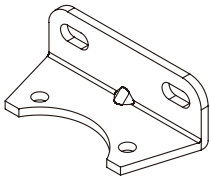
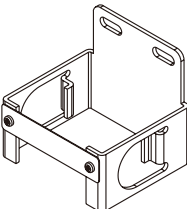
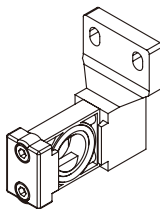
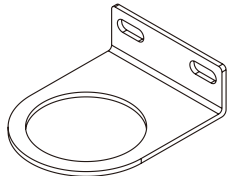
Order example	B1-MACC300	BT-MACP300	B1-MAR300	B1-MAF300 (*)
Pictures				
Applicable model	MACC300	MACP300, MACT300 MACP300L, MACT300L	MAR300	MAL300, MAF300 MAL300L, MAF300L

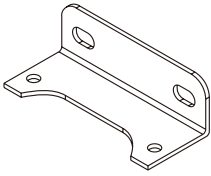
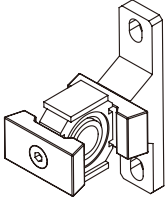
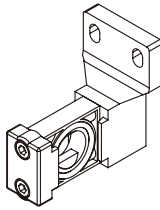
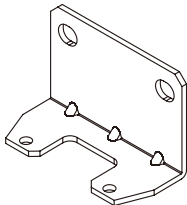
Order example	B1-MAIR300	B1-MAR301	B3-MAR301	BT-MACP302
Pictures				
Applicable model	MAIR300	MAFR300, MAFR300L MAR301	MAFR300(L), MAR301	MACP302, MACT302

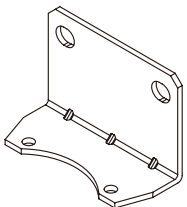
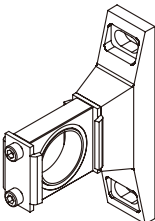
* Order B1-MAL200, B1-MAF200, B1-MAF300 please note that the body need have the fixed threaded holes collocating with bracket.

Bracket

Order example	B1-MAR302	B2-MAF302	B1-MAR400	B1-MAF400
Pictures				
Applicable model	MAFR302, MAR302	MAL302, MAF302	MACP400, MACT400 MAFR400, MAR400	MAF400, MAL400

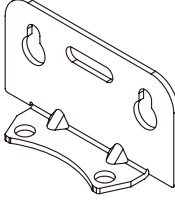
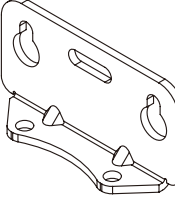
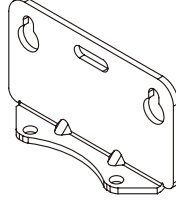
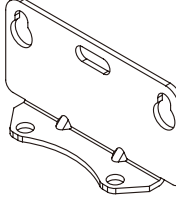
Order example	B1-MAR401	B2-MAF401	BL-MACP401	B1-MAR402
Pictures				
Applicable model	MAFR401, MAR401 MAFR403, MAR403	MAF401, MAL401 MAF403, MAL403	MACP401, MACT401	MAFR402, MAR402

Order example	B1-MAF402 (*)	BT-MACP402	BL-MACP403	B1-MAR501
Pictures				
Applicable model	MAF402, MAL402	MACP402, MACT402	MACP401-W, MACT401-W MACP403, MACT403	MAR501, MAFR501

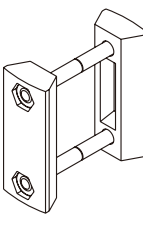
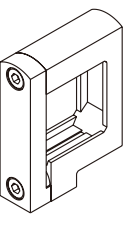
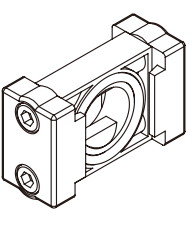
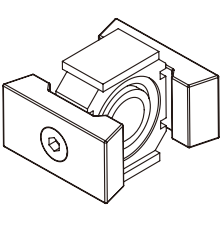
Order example	B1-MAF501	BT-MACP501
Pictures		
Applicable model	MAF501, MAL501	MACP501, MACT501

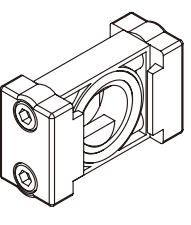
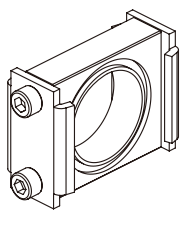
* Order B1-MAF402 please note that the body need have the fixed threaded holes collocating with bracket.

Bracket

Order example	B1-MAMG25	B1-MAMG35	B1-MAMG45	B1-MAMG55
Pictures				
Applicable model	MAM*25	MAM*35	MAM*45	MAM*55

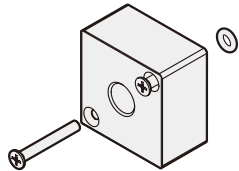
Joiner set

Order example	BS-MACP300	BS-MACP302	BS-MACP401	BS-MACP402
Pictures				
Applicable model	MACP300, MACT300 MACP300L, MACT300L	MACP302, MACT302	MACP401, MACT401	MACP402, MACT402

Order example	BS-MACP403	BS-MACP501
Pictures		
Applicable model	MACP401-W, MACT401-W MACP403, MACT403, MAM*25, MAM*35	MACP501, MACT501 MAM*45, MAM*55

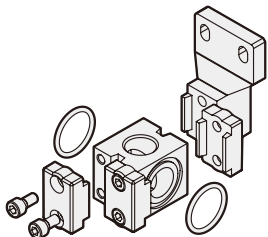
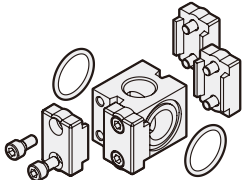
Gauge adapter set *Order example: **A-MAR302-NPT**

● Standard type ◎ Option

	Applicable model	Order example	Port thread	
			—	NPT
			Rc thread	NPT thread
	MAR302, MAFR302	A-MAR302 -□	●	◎
	MAR401, MAFR401	A-MAR401 -□	●	◎
	MAR401-W, MAFR401-W MAR403, MAFR403 MAR501, MAFR501	A-MAR302 -□ (Shared with 302)	●	◎

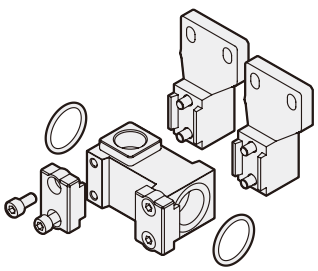
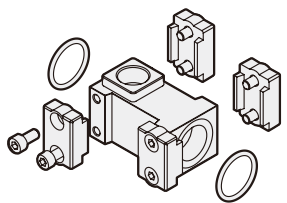
T type module mounting bracket *Order example : **T8-MACP302-G**

● Standard type ◎ Option

	Applicable model	Order example	Port size		Port thread	
			T8,T10	T15	—	G, NPT
			1/4, 3/8	1/2	Rc thread	G,NPT thread
	MACP300, MACT300	T8/T10-MACP300 -□	◎		●	◎
	MACP300L, MCT300L	T8/T10-MACP300 -□	◎		●	◎
	MACP302, MACT302	T8/T10/T15-MACP302 -□	◎	◎	●	◎
	MACP401, MACT401	T8/T10/T15-MACP401 -□	◎	◎	●	◎
	MACP401-W, MACT401-W MACP403, MACT403	T8/T10/T15-MACP403 -□				
	MACP501, MACT501	T8/T10/T15-MACP501 -□				
	MAM*25, MAM*35	T8/T10/T15-MAMG25 -□	◎	◎	●	◎
	MAM*45	T8/T10/T15-MAMG45 -□	◎	◎	●	◎

Check valve *Order example : **K8-MACP401-G**

● Standard type ◎ Option

	Applicable model	Order example	Port size	Port thread	
			K8,K10	—	G, NPT
			1/4, 3/8	Rc thread	G,NPT thread
	MACP302, MACT302	K8/K10-MACP302 -□	◎	●	◎
	MACP401, MACT401	K8/K10-MACP401 -□			
	MACP401-W, MACT401-W MACP403, MACT403	K8/K10-MACP403 -□			
	MAM*25, MAM*35	K8/K10-MAMG25 -□			