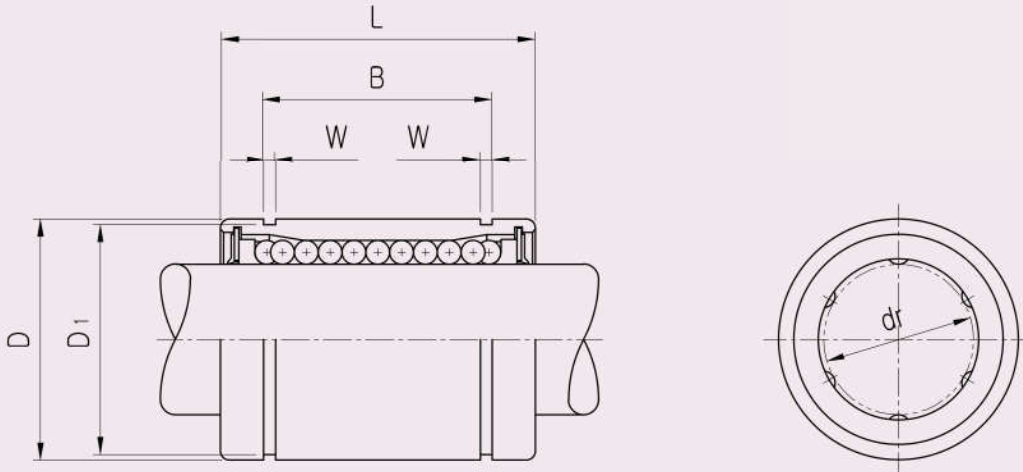


LME CLOSED LINEAR BUSHING

● Drawing



102
LME

● Part Number Notation

LME 20 UU - A N S



- European Standard Samick Linear Bushing
- Nominal Shaft Diameter
- Seal

Blank	No Seal
UU	Both Side Seal
U	One Side Seal

- Retainer (material)

Blank	Resin Retainer(Standard)
A	Steel Retainer(High temperature) ^{★1}

- Outer-sleeves (by corrosion resistance)

Blank	Standard(SUJ2)
N	Electroless nickel plating
R	Raydent treatment

- Ball type (material)

Blank	High carbon bearing steel ball(Standard)
S	Stainless steel ball

★1 Steel retainer applicable from LME8 to LME25 only

LME CLOSED LINEAR BUSHING

PART NUMBER		WORKING BORE DIAMETER		D		L		B		W	D ₁	BASIC LOAD RATING(N)		NO. OF BALL ROW	WEIGHT (gf) ^{*2}
Resin	Steel	dr. (mm)	CLEARNCE (mm)	mm	CLEARNCE (mm)	mm	CLEARNCE (mm)	mm	CLEARNCE (mm)			DYNAMIC (C) ^{*1}	STATIC (Co)		
LME5UU		5	+0.008 0	12	0	22	-0.008	14.5	0	1.1	11.5	200	260	4	12
LME8UU	LME8-A	8		16	0	25		16.5		1.1	15.2	260	400	4	20
LME12UU	LME12-A	12	+0.009 -0.001	22	0	32	-0.009	22.9	-0.2	1.3	21	410	590	4	41
LME16UU	LME16-A	16		26	0	36		24.9		1.3	24.9	770	1170	5	57
LME20UU	LME20-A	20		32	0	45		31.5		1.6	30.3	860	1370	5	91
LME25UU	LME25-A	25	+0.011 -0.001	40	0	58	-0.011	44.1	0	1.85	37.5	980	1560	6	215
LME30UU		30		47	0	68		52.1		1.85	44.5	1560	2740	6	325
LME40UU		40	+0.013 -0.002	62	0	80	-0.013	60.6	-0.3	2.15	59	2150	4010	6	705
LME50UU		50		75	0	100		77.6		2.65	72	3820	7930	6	1130
LME60UU		60		90	0	125		101.7		3.15	86.5	4700	9990	6	2220

- ★1 Dynamic load rating is based on the nominal life of 50km
In case of 100km, C on the table need to be divided by 1.26
Ex) 50km basic dynamic load rating(C) of LME12 = 410N
100km basic dynamic load rating(C₁₀₀) of LME12 = 410/1.26 = 325.40N
- ★2 Based on the weight of resin retainer
- ★3 Main unit : mm
- ★4 1N ≒ 0.102kgf